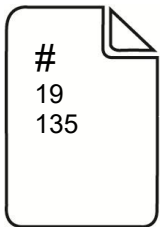
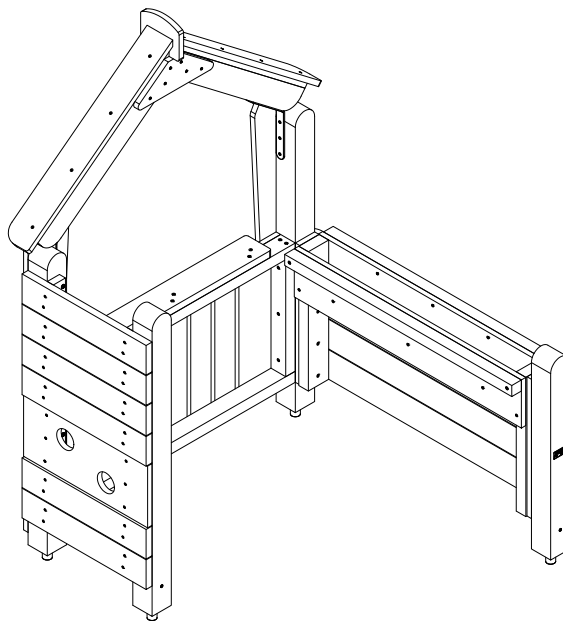


0206-009-002

1/6

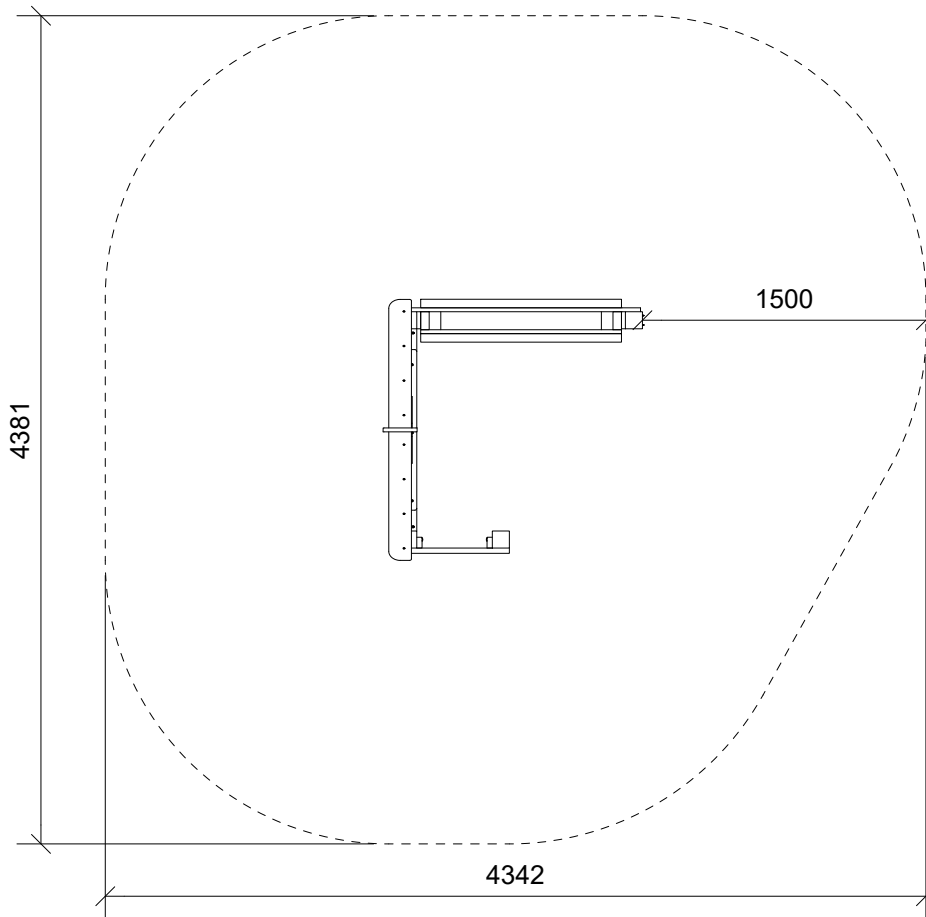
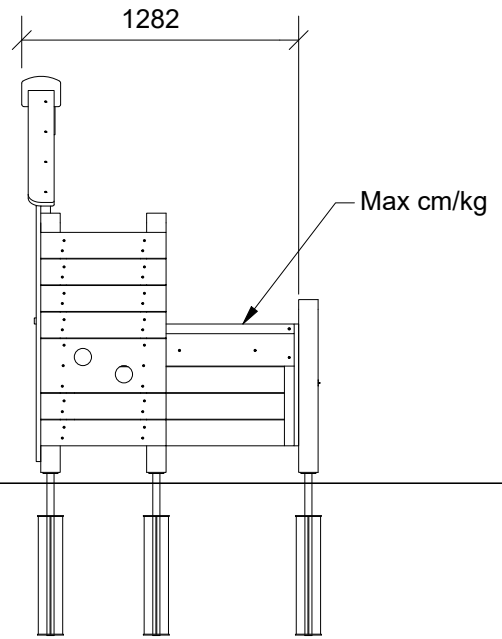
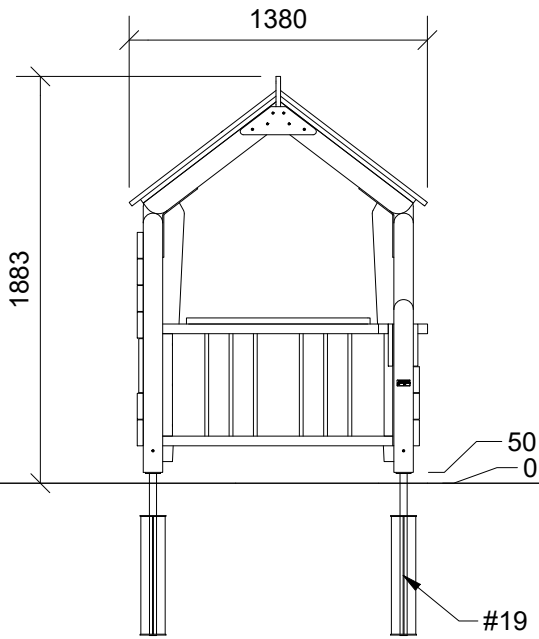
# Ijslander rev. 6741



[info@ijslander.com](mailto:info@ijslander.com)  
[www.ijslander.com](http://www.ijslander.com)

Oude Dijk 10  
8096 RK Oldebroek  
T. (0525) 633 420





2

1h

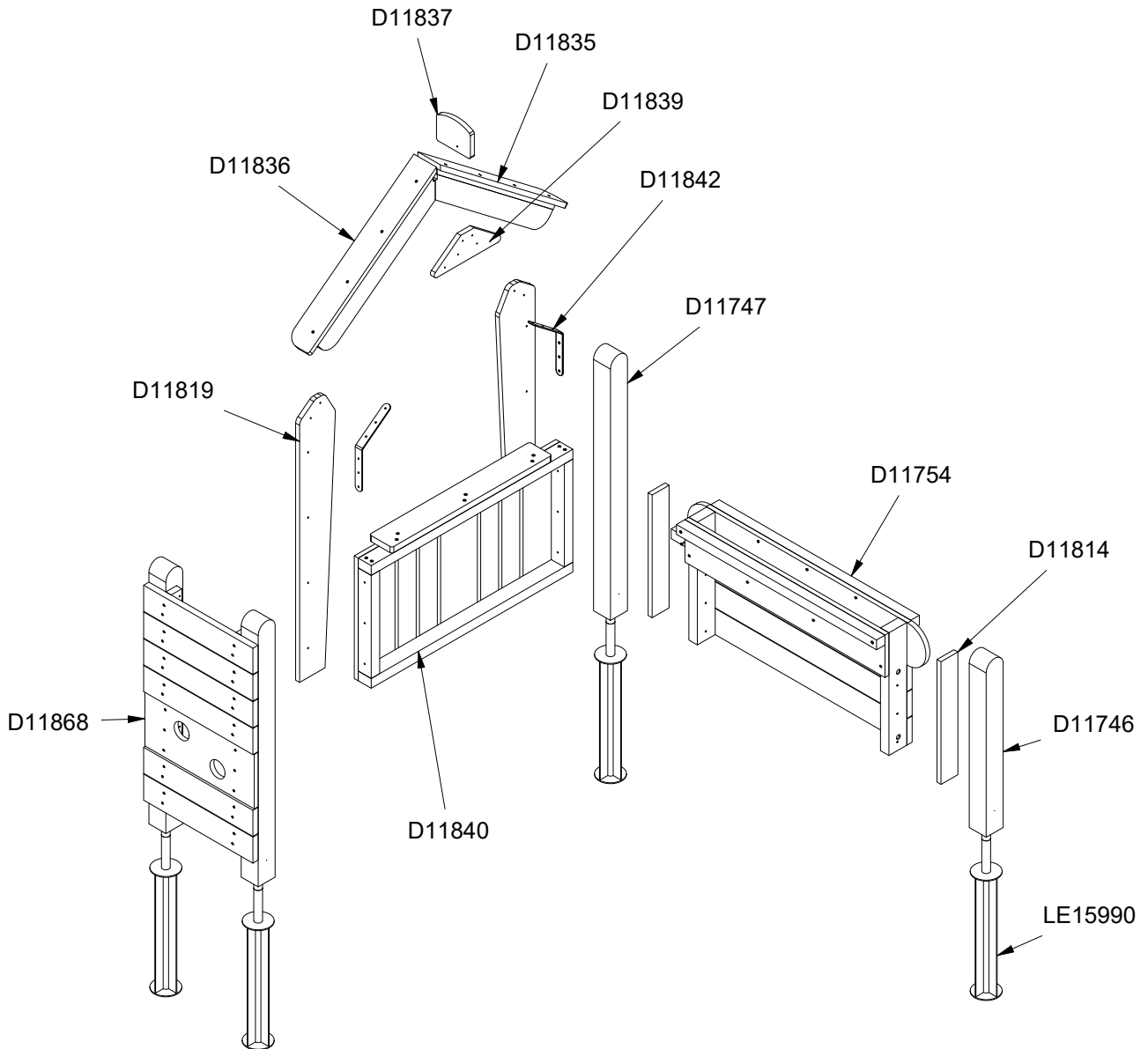
4,4 x 4,4 x 1,9 m

~104 kg

~0,15 m

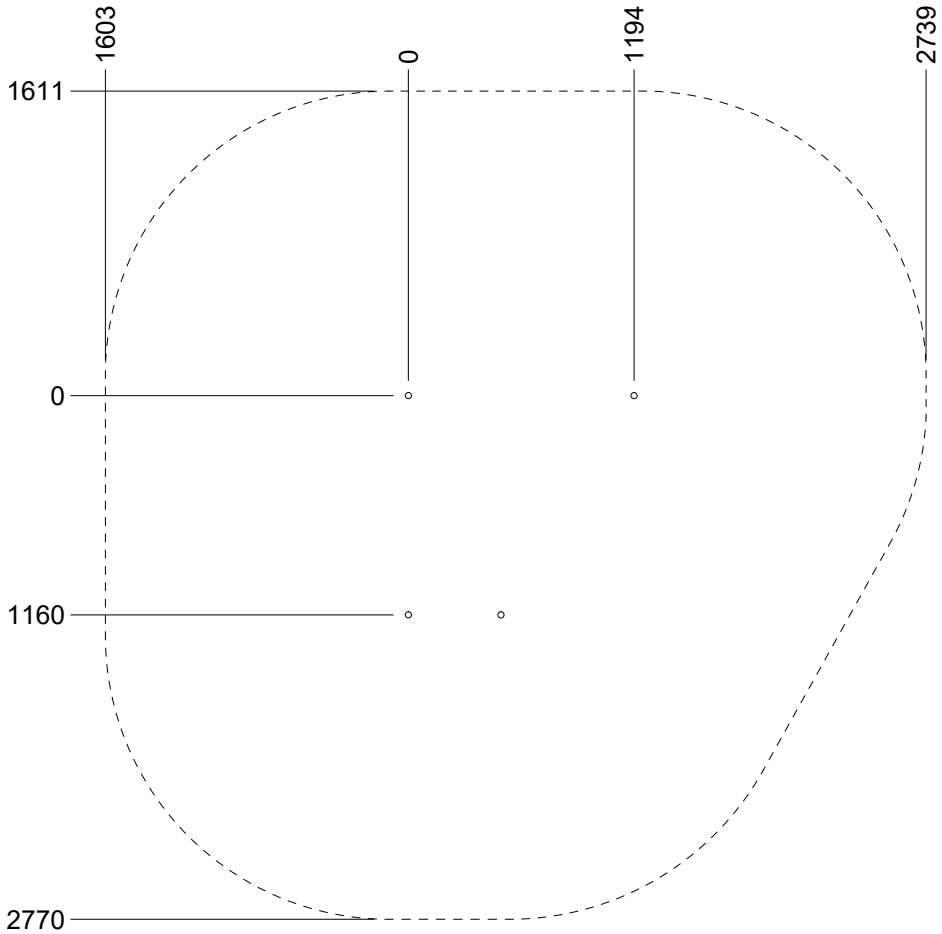
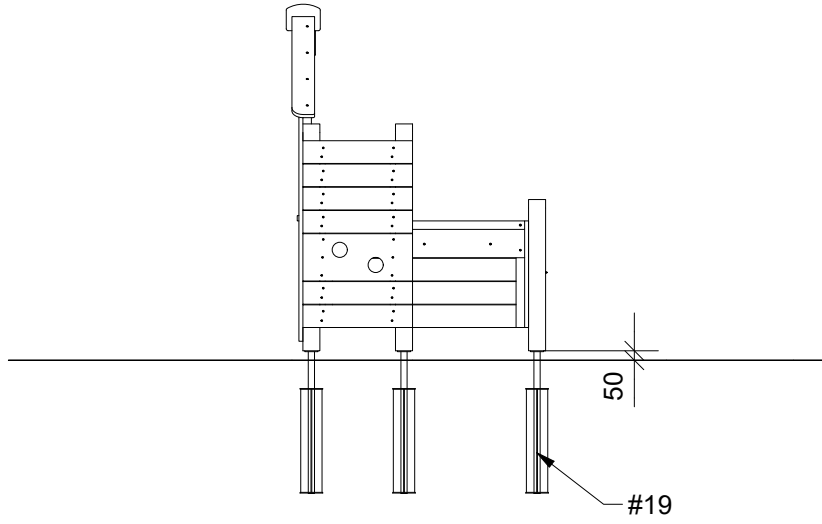
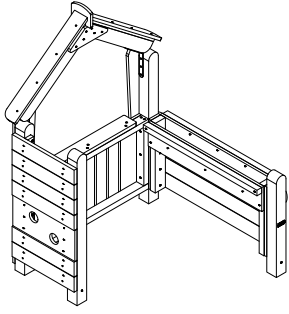
107x23x57 cm

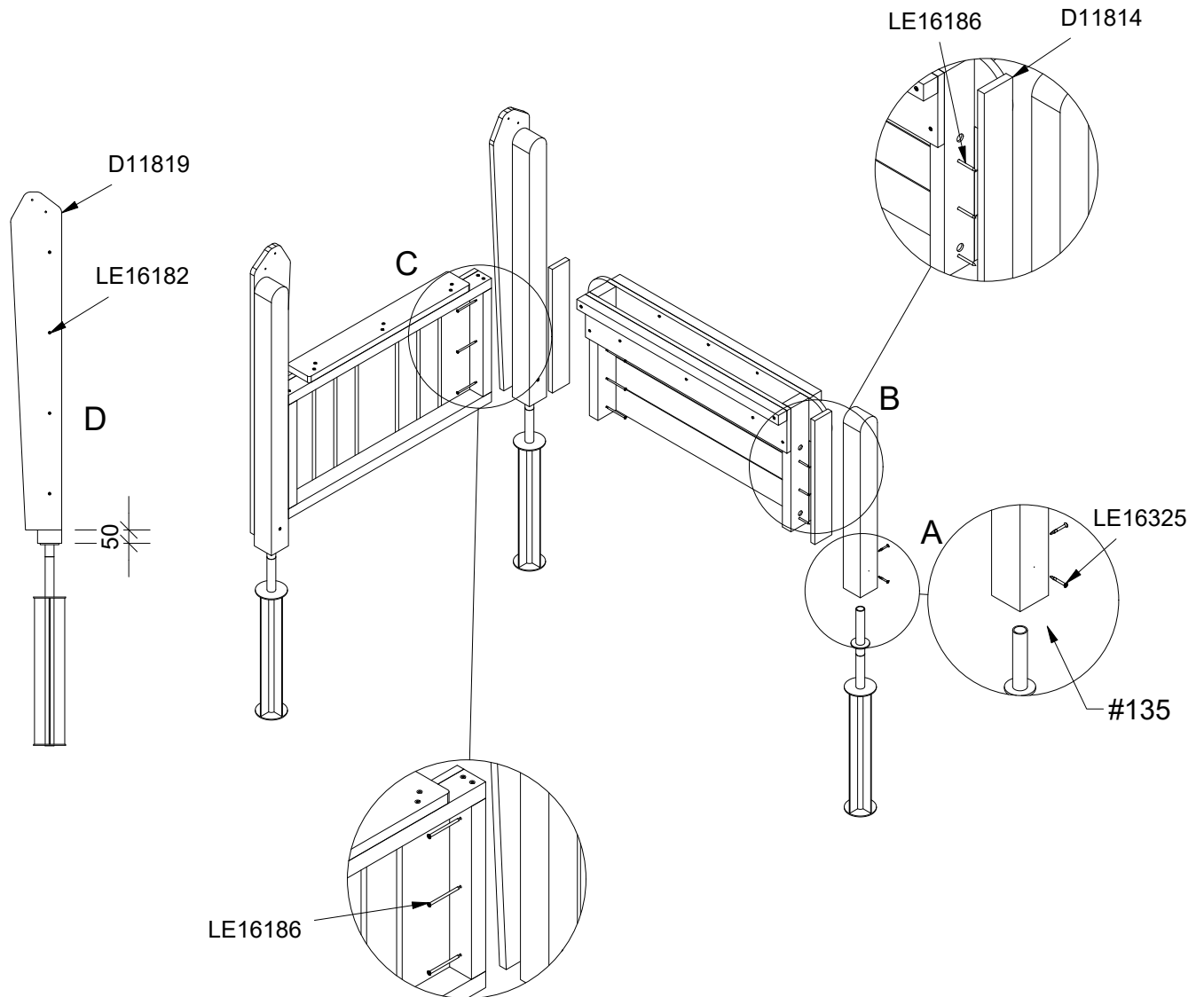
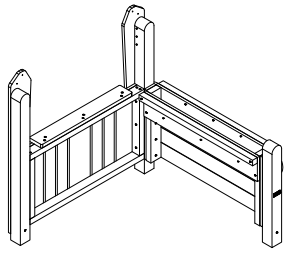
20 kg



Parts List

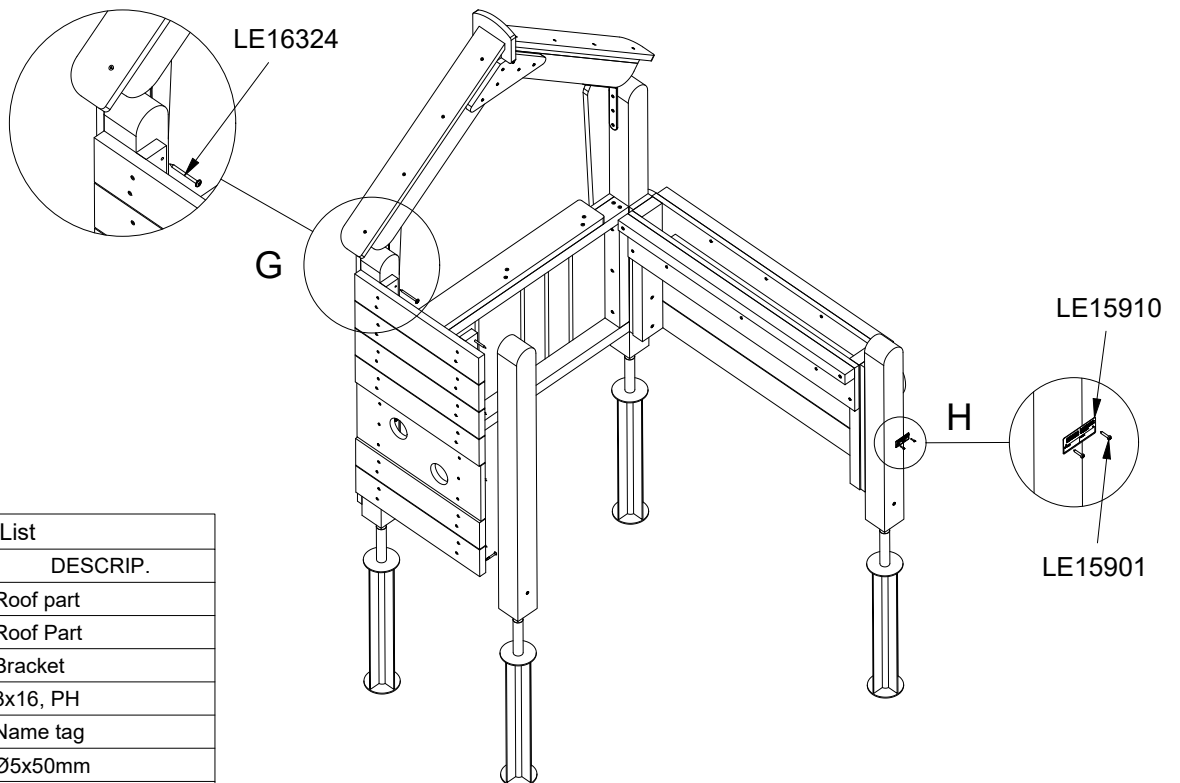
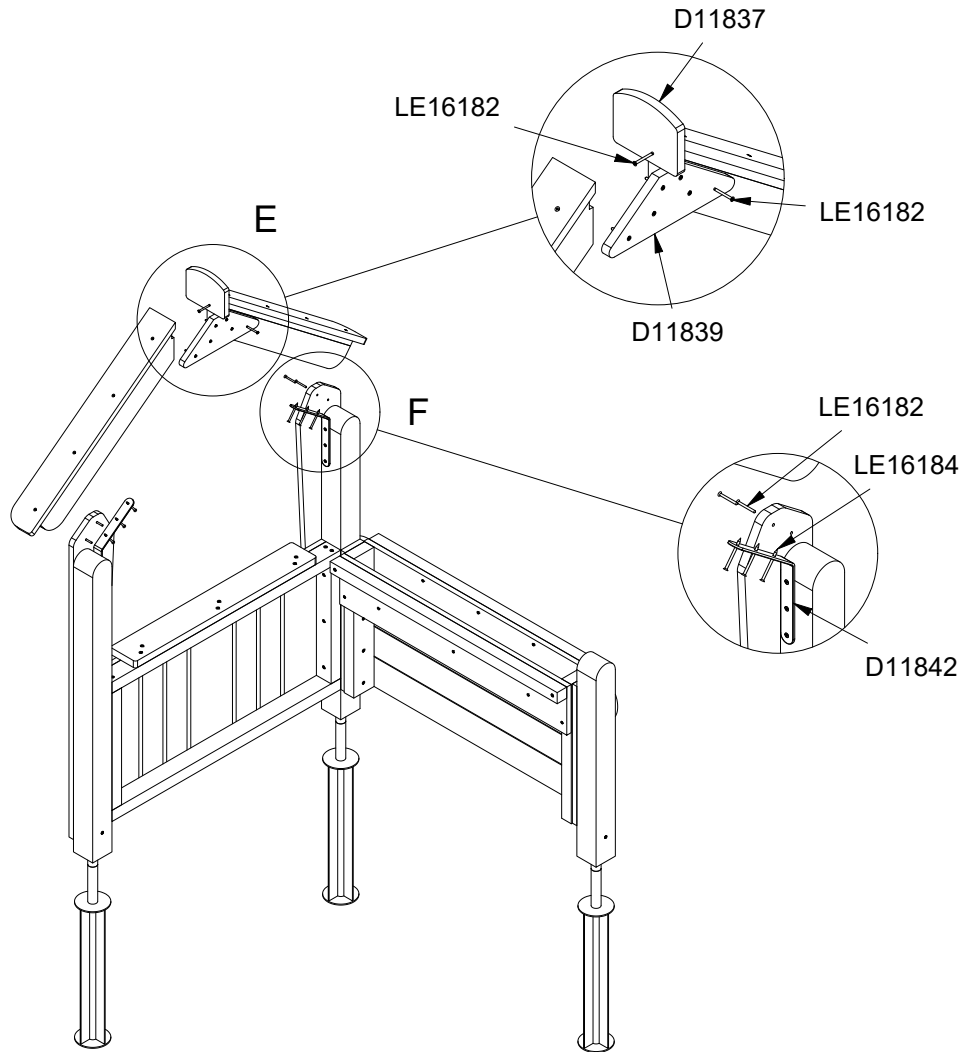
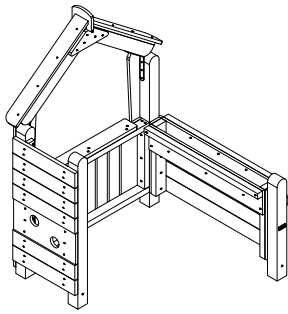
QTY	PART NO	DESCRIP.
1	D11746	90x90x800mm
3	D11747	90x90x1200mm
1	D11754	Wall
2	D11814	90x21x564mm
2	D11819	Panel
1	D11835	Roof
1	D11836	Roof
1	D11837	Roof part
1	D11839	Roof Part
1	D11840	Wall
2	D11842	Bracket
1	D11868	Wall
4	LE15990	Anchor





Parts List

QTY	PART NO	DESCRIP.
2	D11814	90x21x564mm
2	D11819	Panel
19	LE16182	Ø5x50mm
12	LE16186	6x100 Ch
8	LE16325	5,5x50



Parts List

QTY	PART NO	DESCRIP.
1	D11837	Roof part
1	D11839	Roof Part
2	D11842	Bracket
2	LE15901	3x16, PH
1	LE15910	Name tag
19	LE16182	Ø5x50mm
12	LE16184	5x70 Ch
8	LE16324	6x80 Dh