
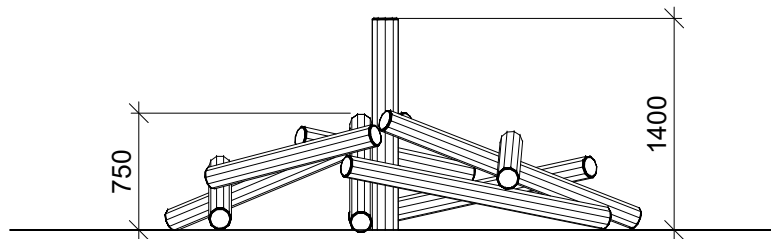
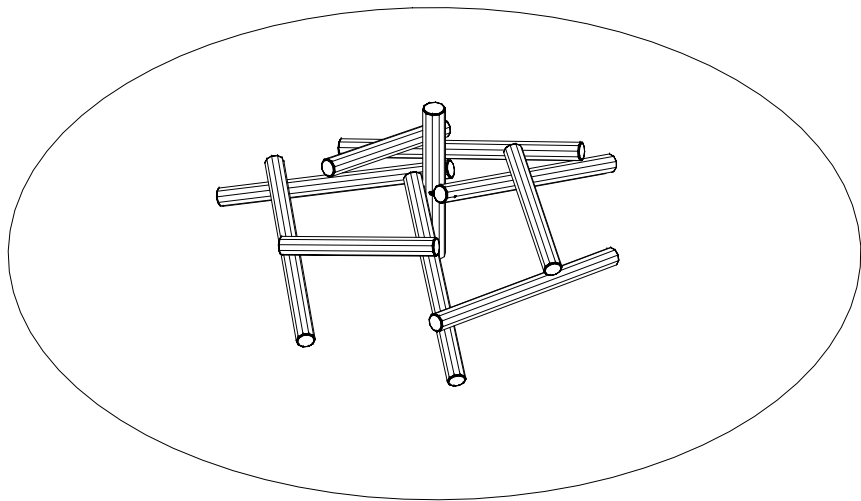


NORLEG	
Robinia kravlepyramide	
LE 20534	
14.12.2011	REV. 04.12.2018

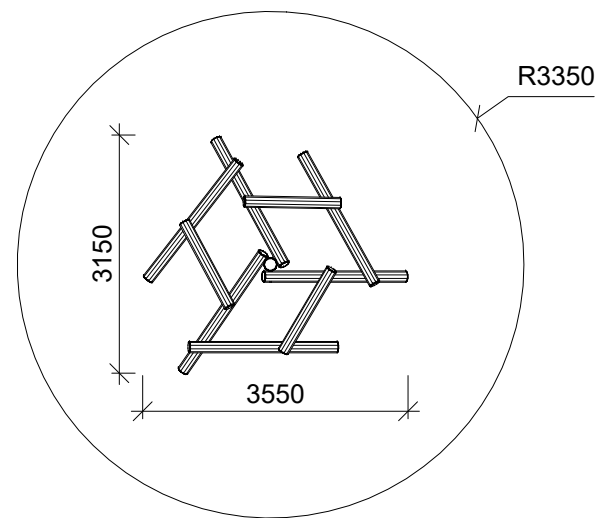
< 750



≥ EN 1176



1:50



1:100

Ijslander rev. 6729

info@ijslander.com
www.ijslander.com

Oude Dijk 10
8096 RK Oldebroek
T. (0525) 633 420



This drawing is the property of NORLEG and pursuant to current legislation may not be copied, transferred to or used by any third party. Should this drawing be used, a fee of 10% of the assumed contract price will be charged.

NORLEG - 3D

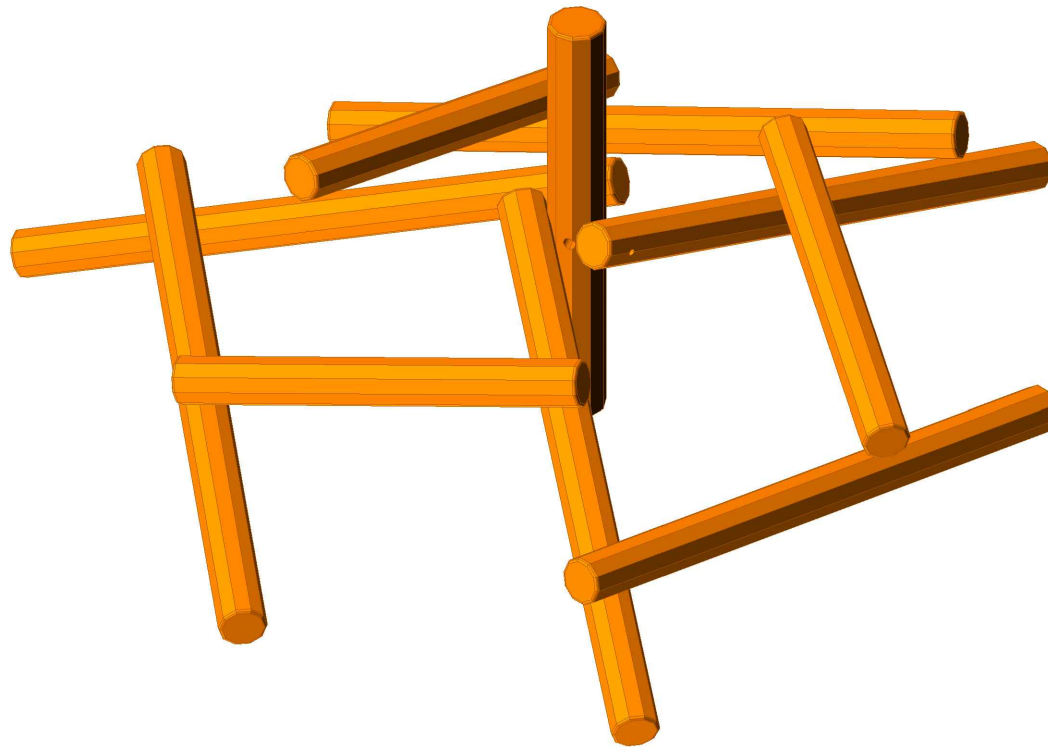
Robinia kravlepyramide

LE 20534

14.12.2011

REV.

10.10.2016



NORLEG - Mont.	
Robinia kravlepyramide	
LE 20534	
14.12.2011	REV. 10.10.2016

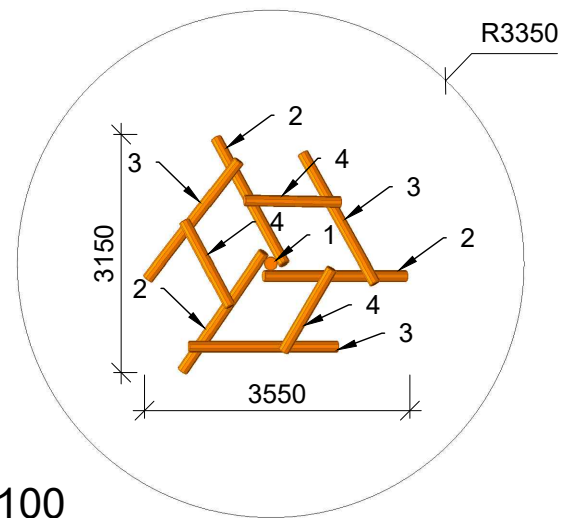
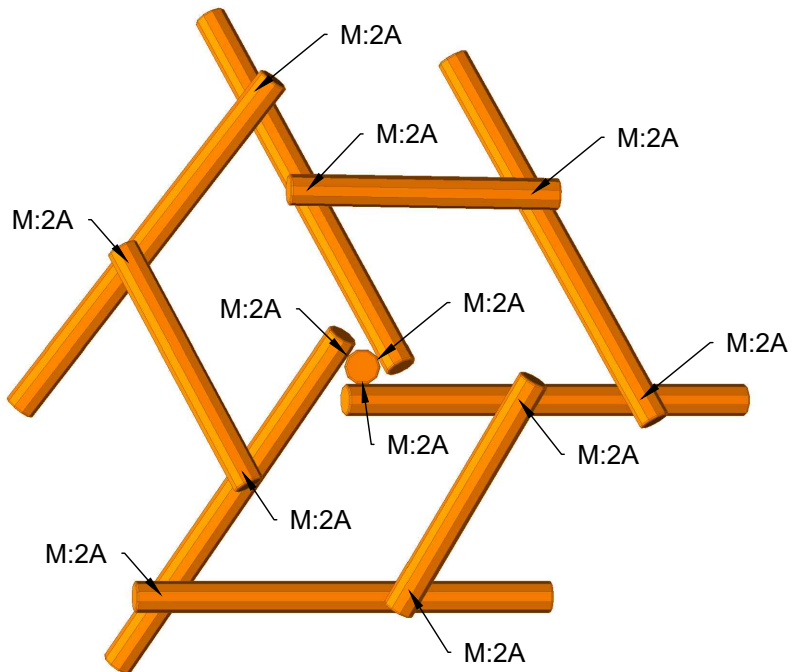
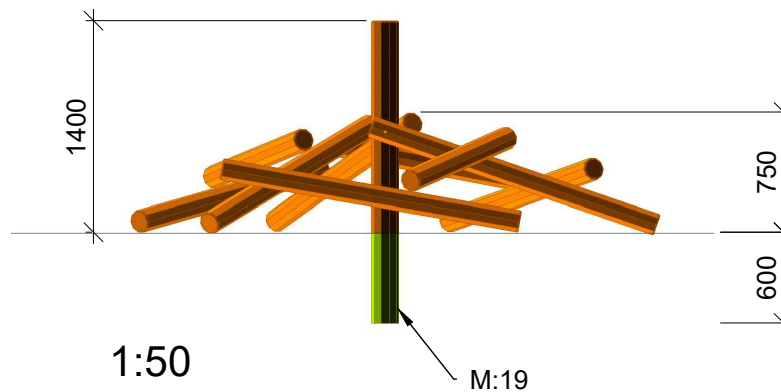
< 750

≥ EN 1176

Mont.p. nr.

M:2A
M:19

Robinia		
Mrk.	QTY	Part.no
1	1	160-180-2000-f
2	3	140-160-2000-f
3	3	140-160-2000-f
4	3	140-160-1300-f



NORLEG - Mont.

Robinia kravlepyramide

LE 20534

14.12.2011 REV. 10.10.2016

< 750



≥ EN 1176

