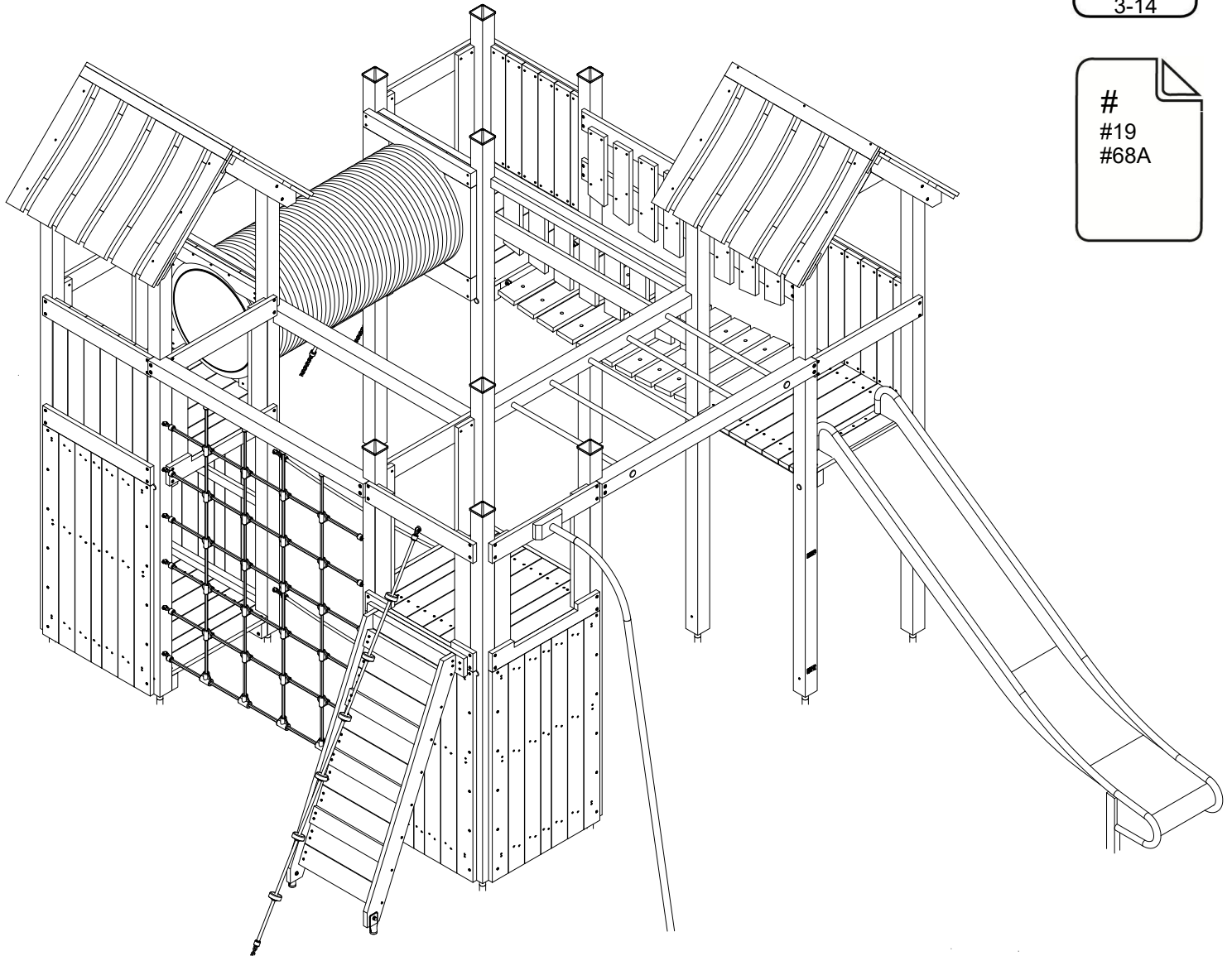
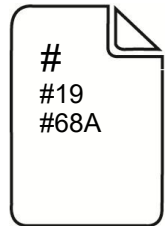


0102-025-002
0102-025-102

1/13

Ijslander rev. 6716



info@ijslander.com
www.ijslander.com

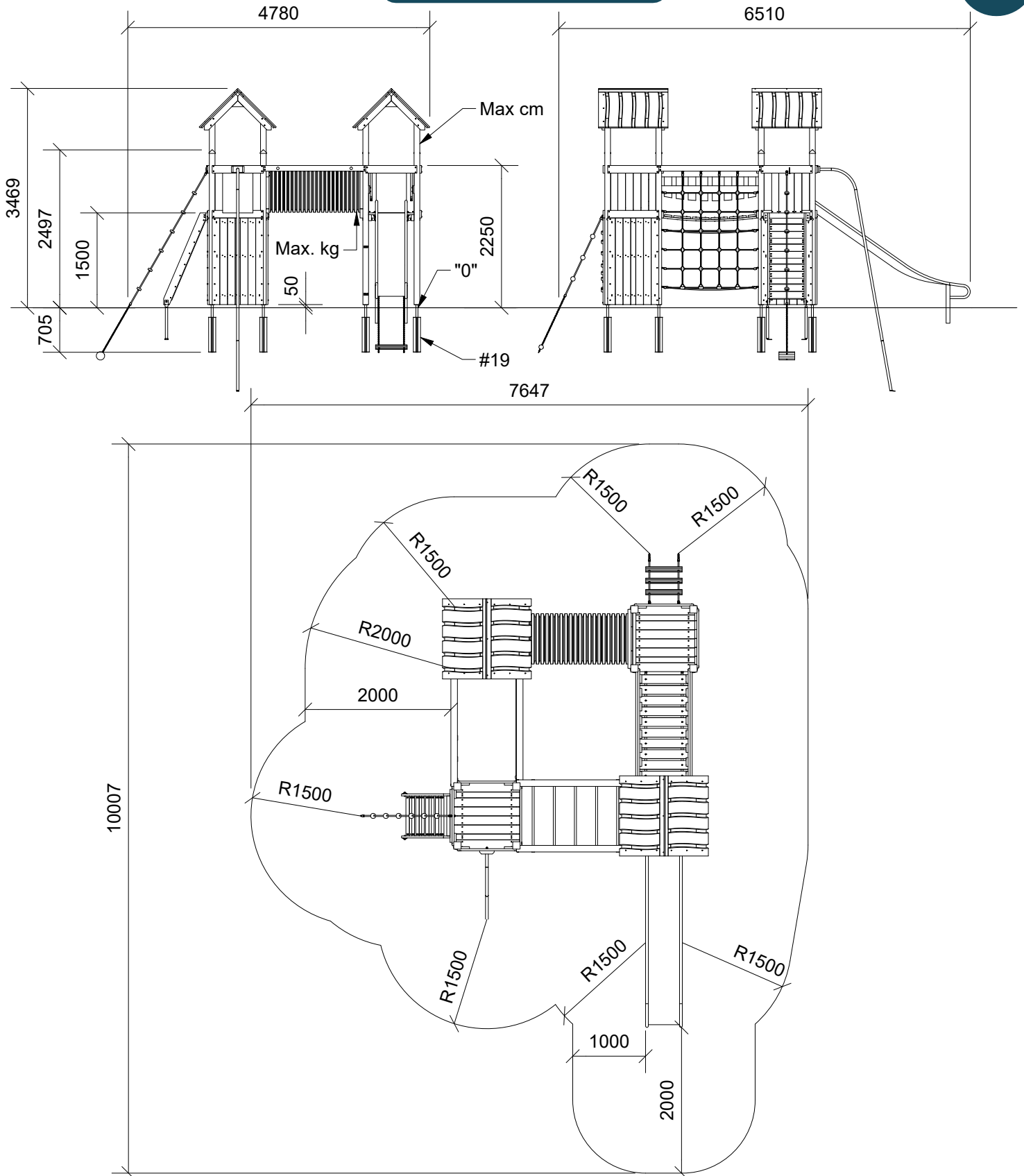
Oude Dijk 10
8096 RK Oldebroek
T. (0525) 633 420



31-03-2023 / Rev.: B

0102-025-002
0102-025-102

2/13



2



29 h



53,6 m³



10 x 7,7 x 3,5 m



~1048 kg



~0,61 m³



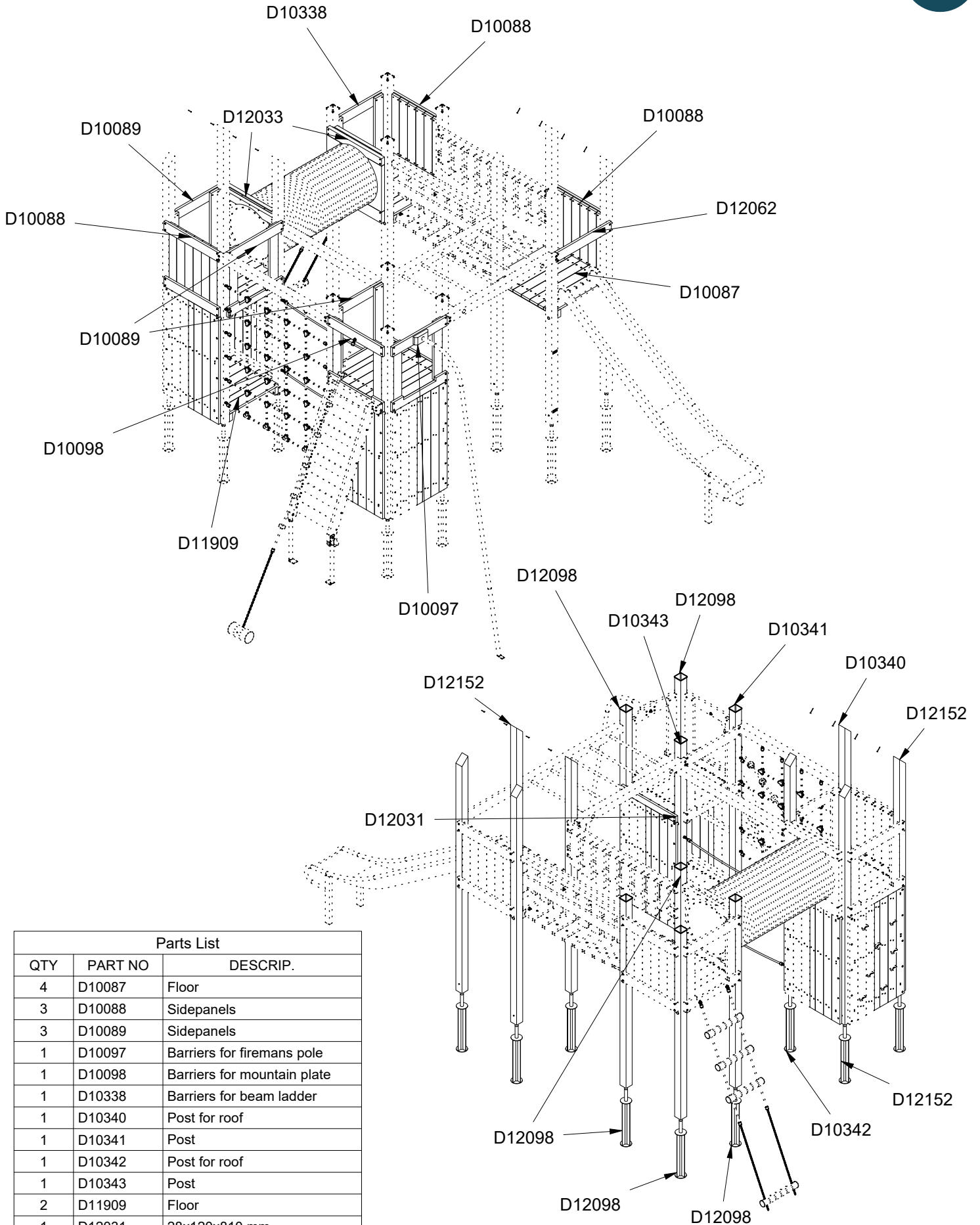
9 x 9 x 300 cm



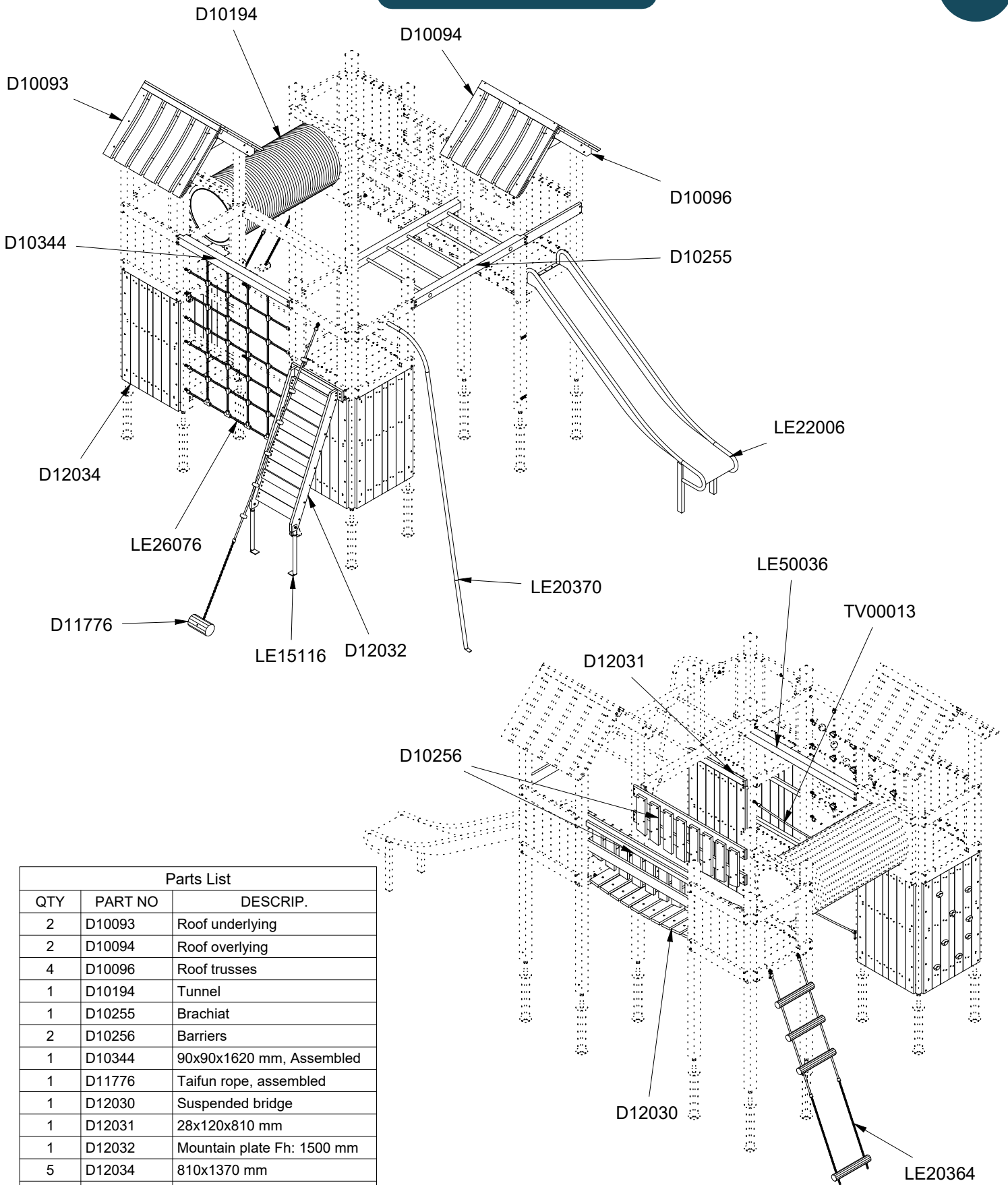
110 kg

NORNA PLAYGROUNDS A/S • Virkefeltet 1, DK-8740 Brødstrup • Phone +45 7575 4199 • mail@norna-playgrounds • norna-playgrounds.com

This drawing is the property of NORNA PLAYGROUNDS A/S and pursuant to current legislation may not be copied, transferred to or used by any third party. Should this drawing be used, a fee of 10% of the assumed contract price will be charged.

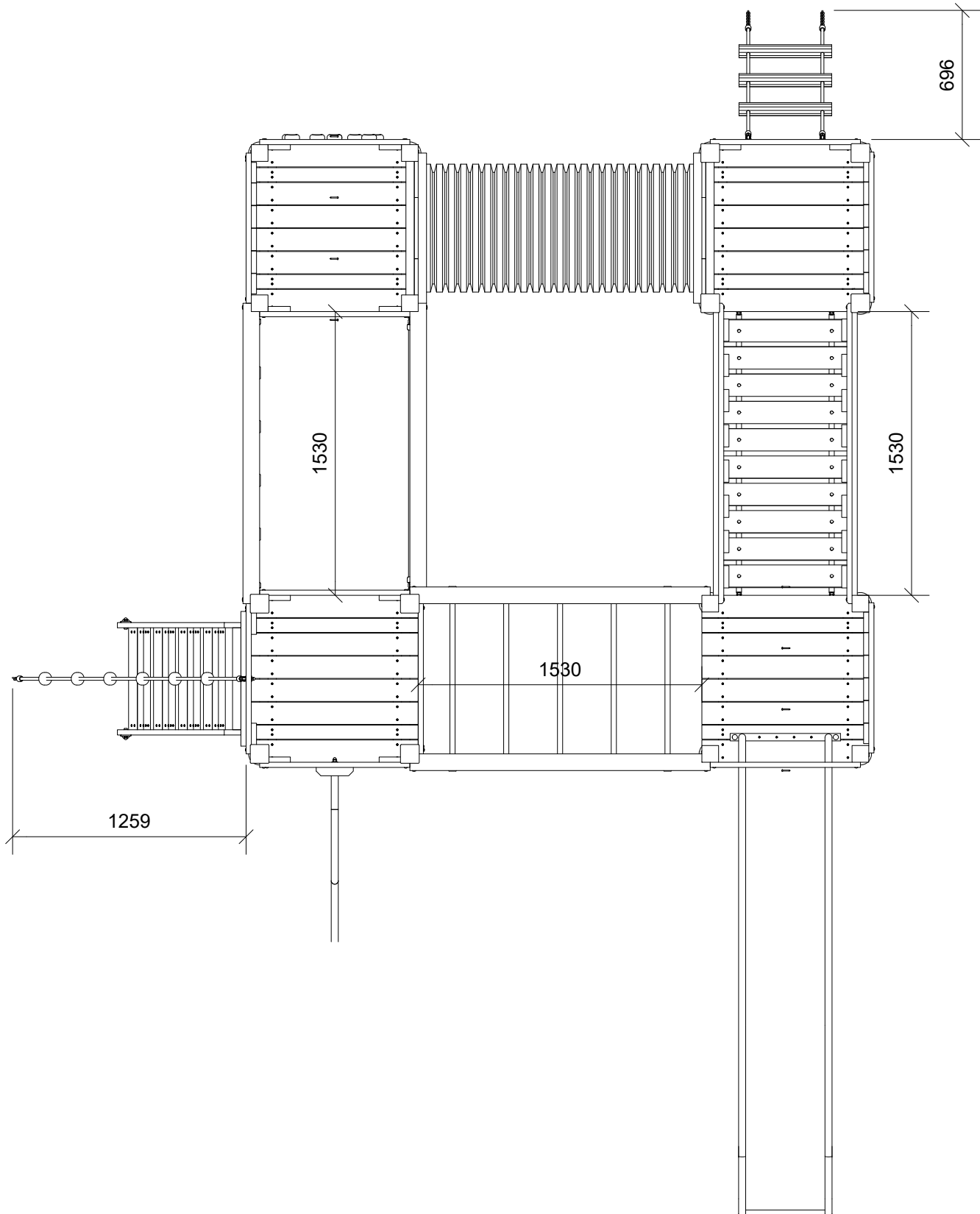


Parts List		
QTY	PART NO	DESCRIP.
4	D10087	Floor
3	D10088	Sidepanels
3	D10089	Sidepanels
1	D10097	Barriers for firemans pole
1	D10098	Barriers for mountain plate
1	D10338	Barriers for beam ladder
1	D10340	Post for roof
1	D10341	Post
1	D10342	Post for roof
1	D10343	Post
2	D11909	Floor
1	D12031	28x120x810 mm
2	D12033	Sidepanels
1	D12062	28x120 mm
6	D12098	Post
6	D12152	Post for roof

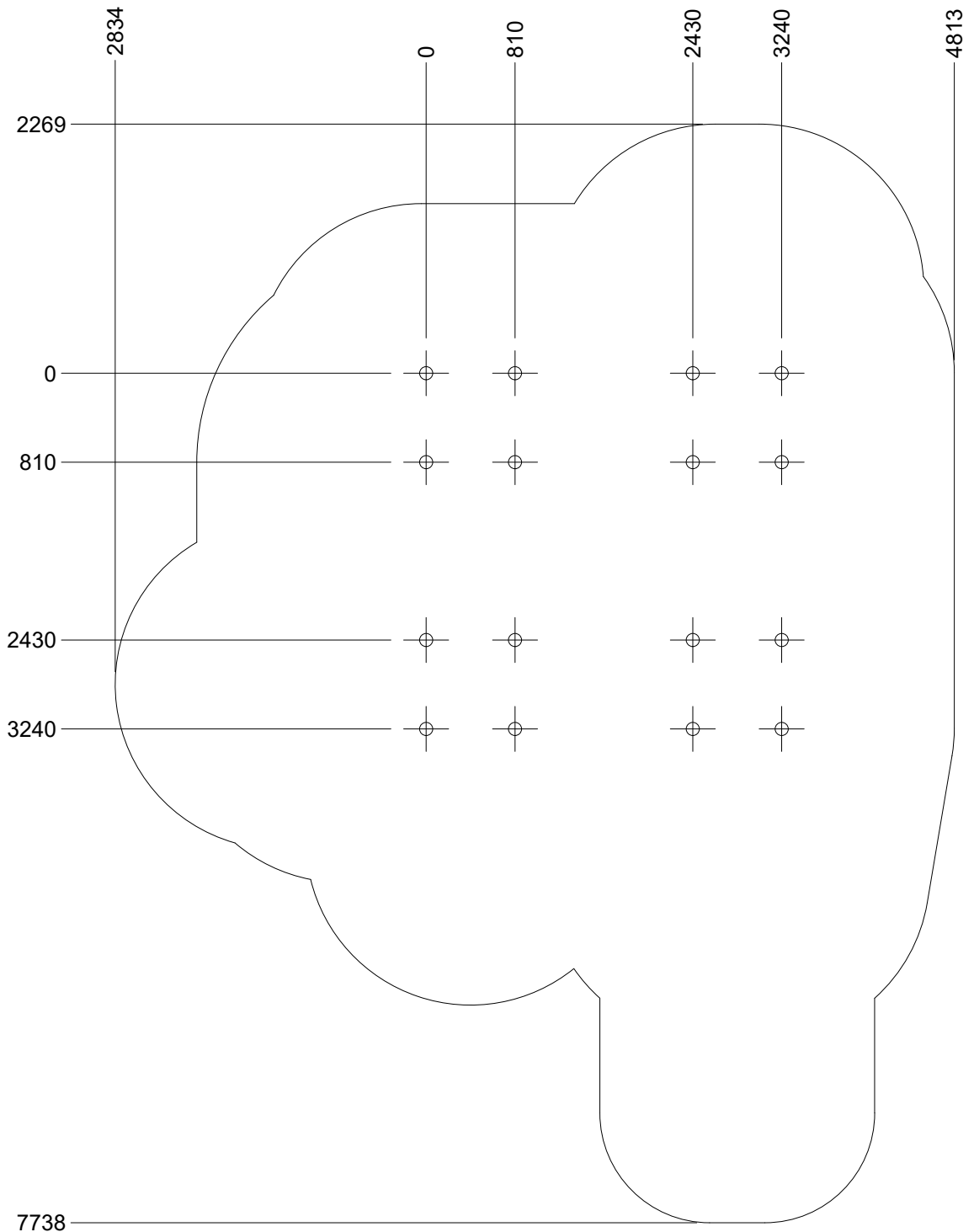
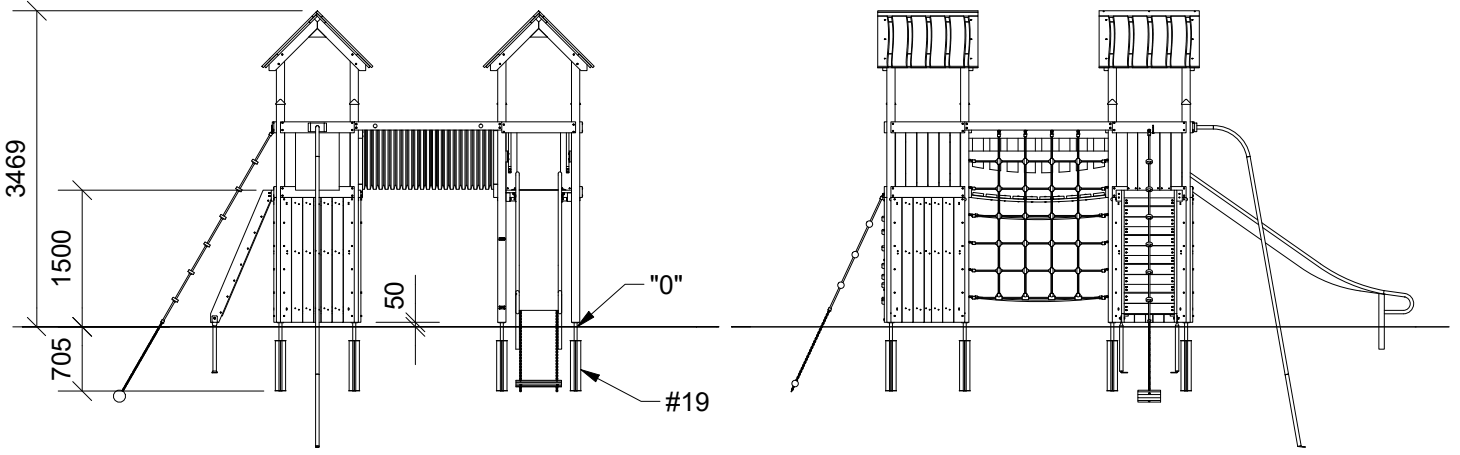


Parts List

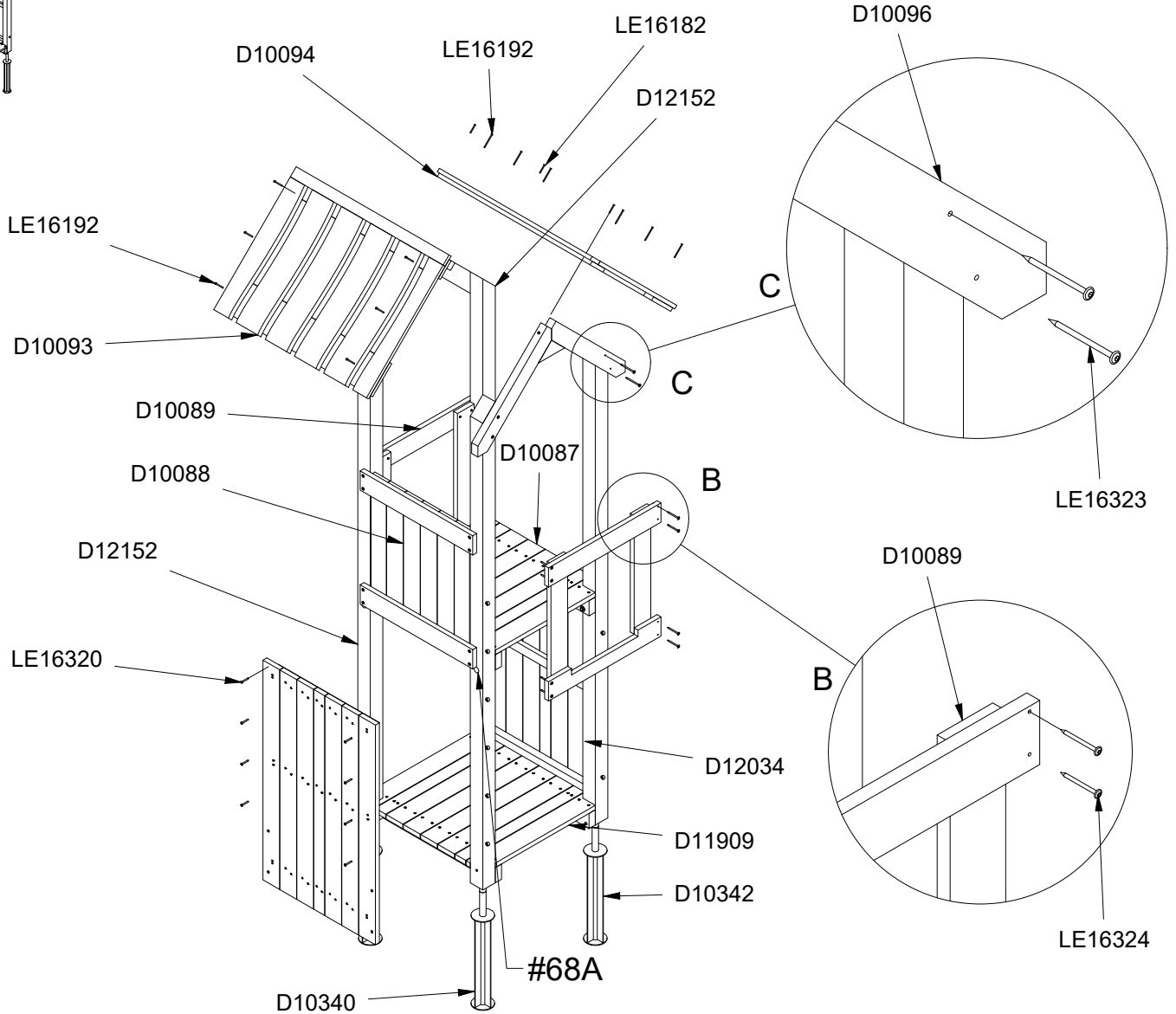
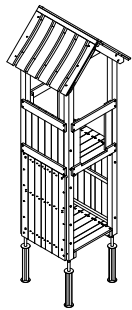
QTY	PART NO	DESCRIP.
2	D10093	Roof underlying
2	D10094	Roof overlying
4	D10096	Roof trusses
1	D10194	Tunnel
1	D10255	Brachiat
2	D10256	Barriers
1	D10344	90x90x1620 mm, Assembled
1	D11776	Taifun rope, assembled
1	D12030	Suspended bridge
1	D12031	28x120x810 mm
1	D12032	Mountain plate Fh: 1500 mm
5	D12034	810x1370 mm
1	D12035	870x1370 mm, Assembled
2	LE15116	L: 600mm
1	LE20364	Taifun
1	LE20370	Sliding pole
1	LE22006	Slide
1	LE26076	Climbing net
1	LE50036	90x90mm Beam
2	TV00013	Taifun 1400-1600 mm



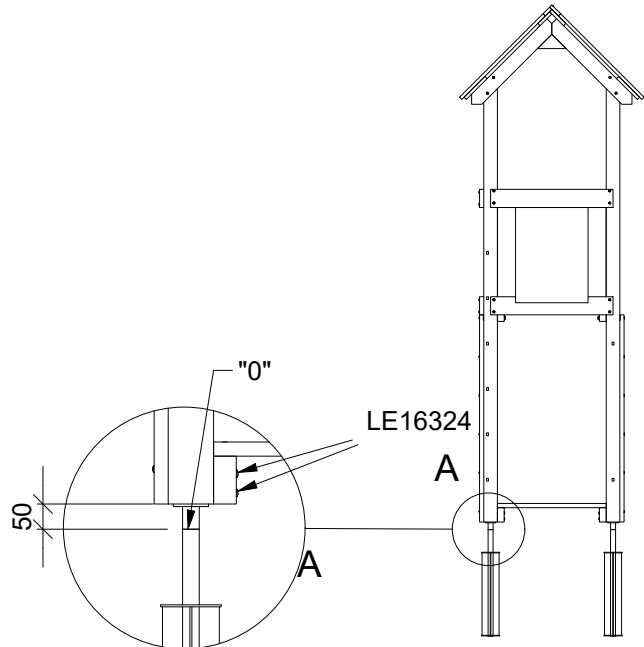
0102-025-002
0102-025-102

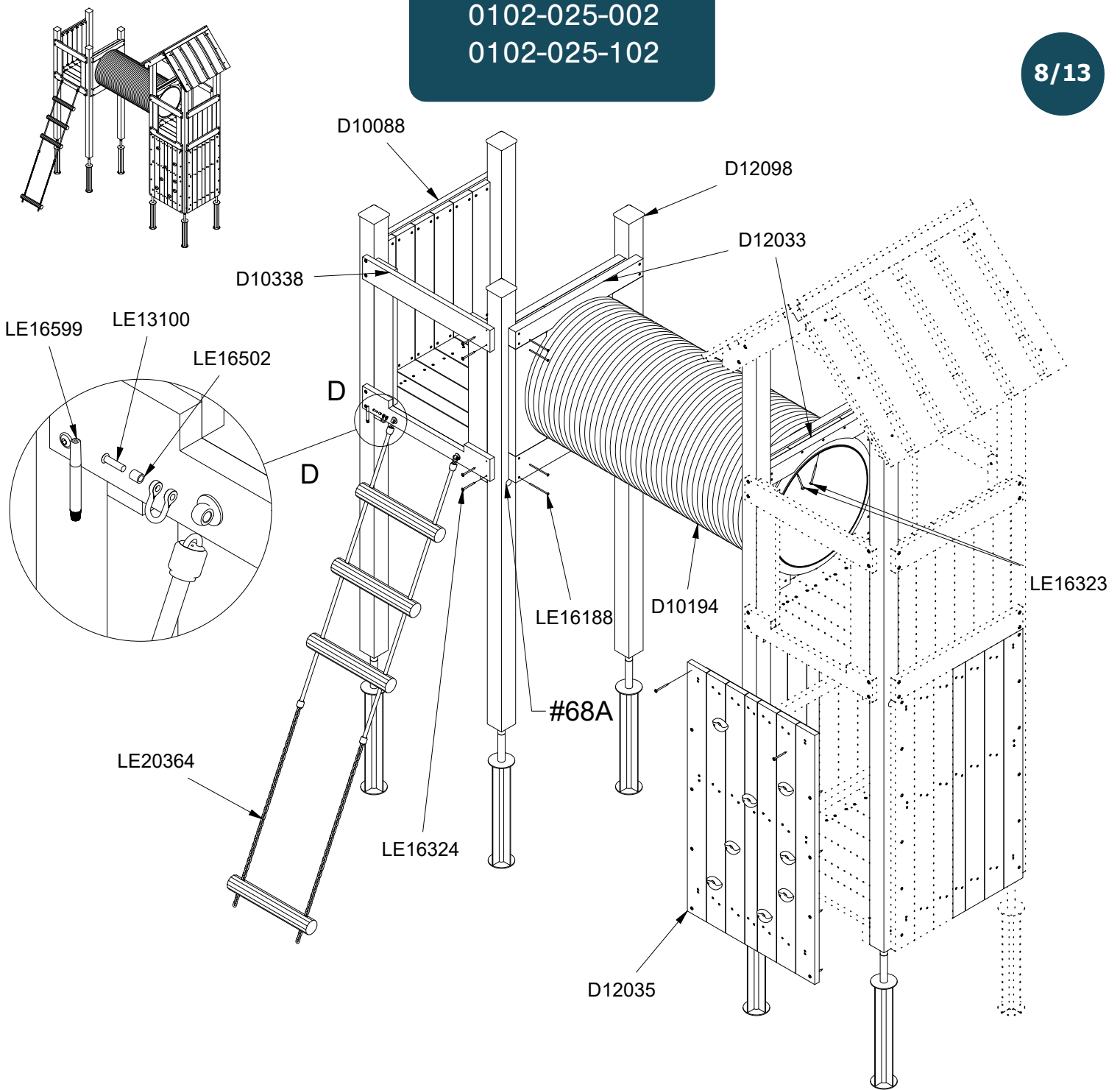


7738



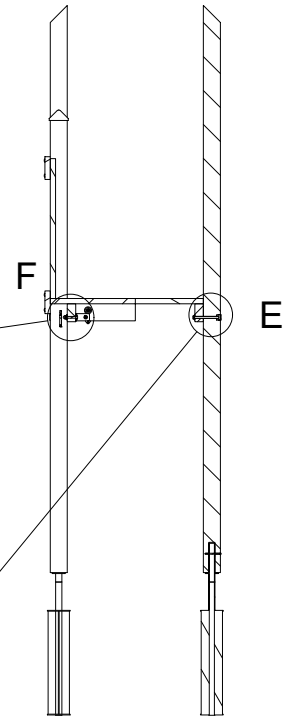
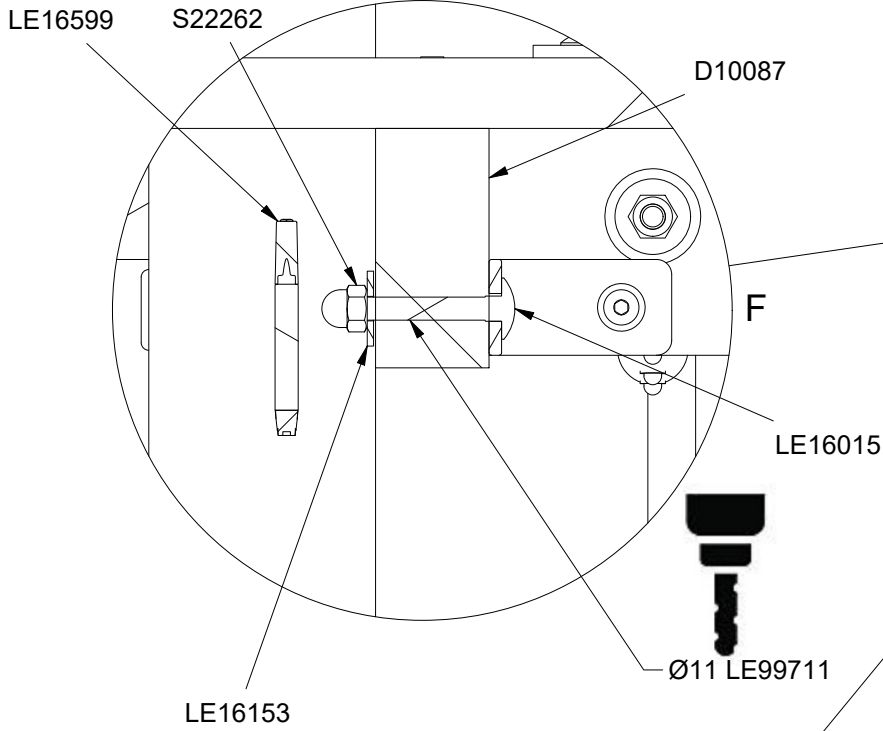
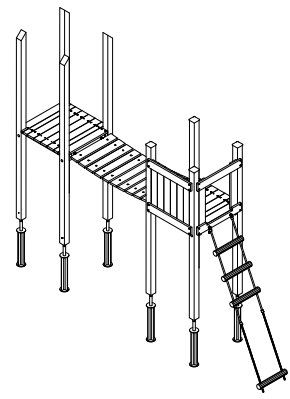
Parts List		
QTY	PART NO	DESCRIP.
1	D10087	Floor
1	D10088	Sidepanels
2	D10089	Sidepanels
1	D10093	Roof underlying
1	D10094	Roof overlying
2	D10096	Roof trusses
1	D10340	Post for roof
1	D10342	Post for roof
1	D11909	Floor
2	D12034	810x1370 mm
2	D12152	Post for roof
4	LE16093	M10x130mm
4	LE16153	M10 - Ø29mm
3	LE16182	Ø5x50mm
12	LE16192	5x80mm
24	LE16320	6x50 Dh
8	LE16323	6x100 Dh
32	LE16324	6x80 Dh
4	LE16548	Cap Ø28 hole



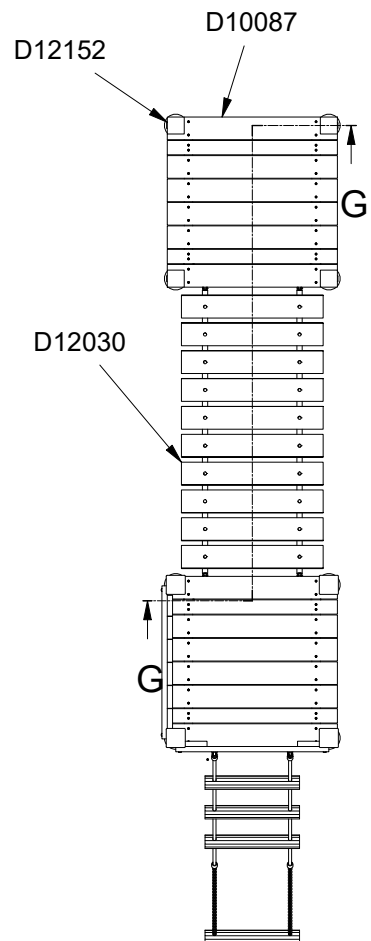
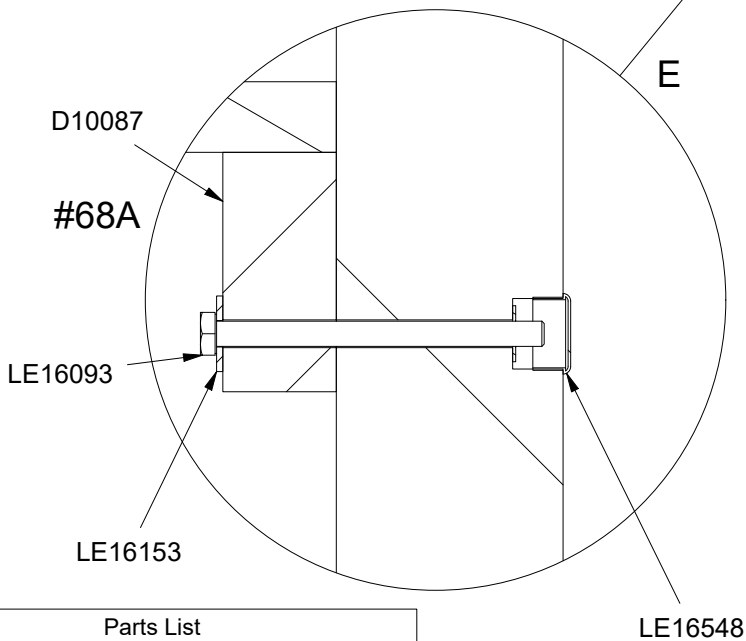


Parts List

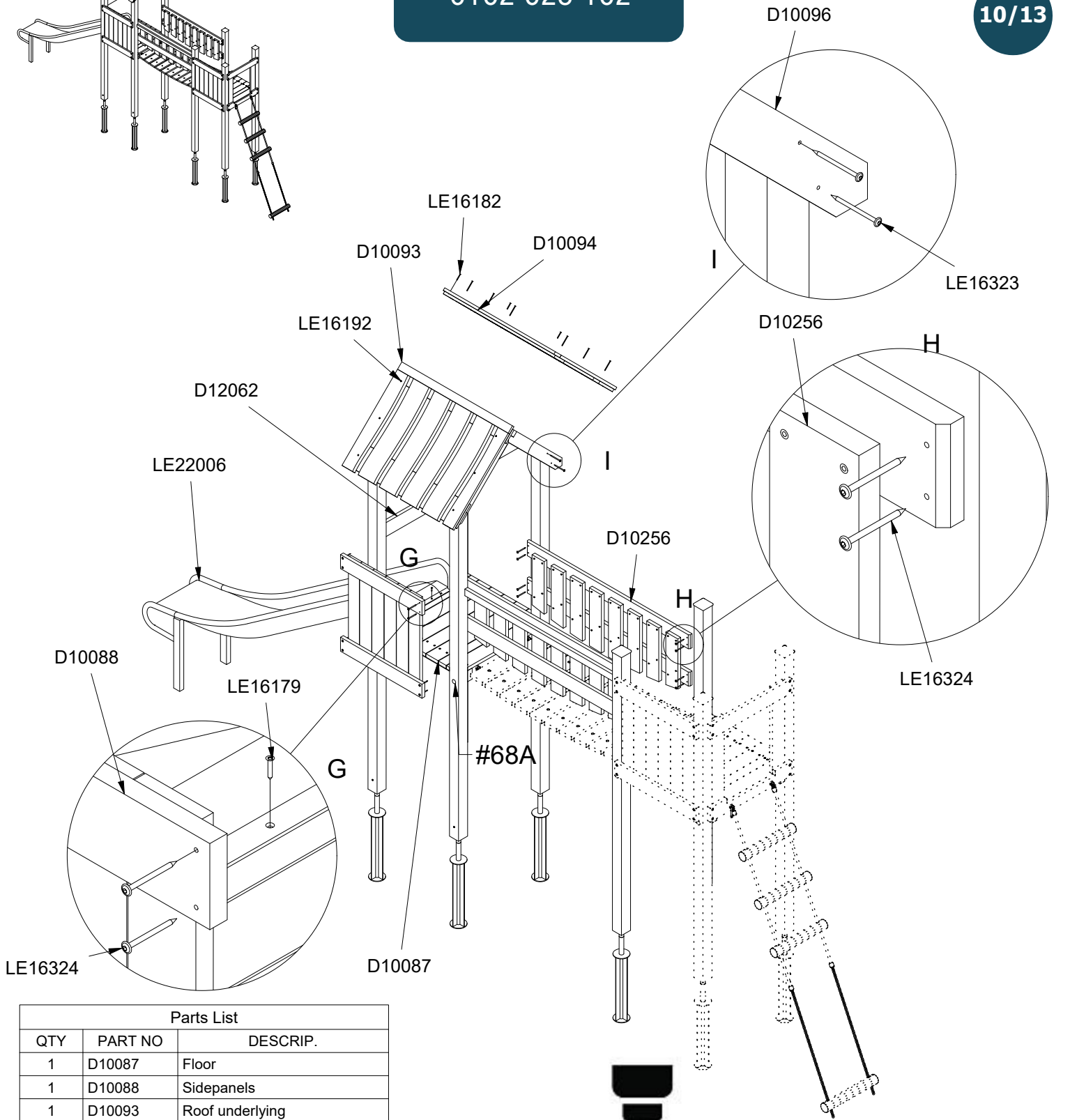
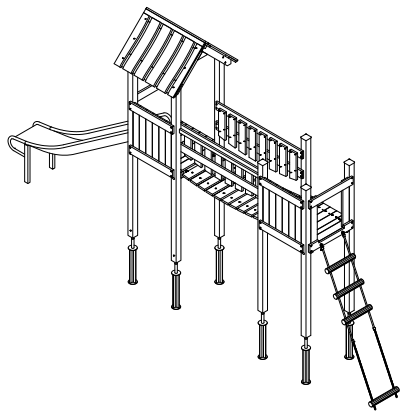
QTY	PART NO	DESCRIP.
1	D10087	Floor
1	D10088	Sidepanels
1	D10194	Tunnel
1	D10338	Barriers for beam ladder
1	D11909	Floor
2	D12033	Sidepanels
1	D12035	870x1370 mm, Assembled
4	D12098	Post
2	LE13100	Shackle
4	LE16093	M10x130mm
4	LE16153	M10 - Ø29mm
16	LE16188	6x120
4	LE16323	6x100 Dh
26	LE16324	6x80 Dh
2	LE16502	Spacer 6mm
4	LE16548	Cap Ø28 hole
1	LE16599	Sealtite 970 1,5ml
1	LE20364	Taifun



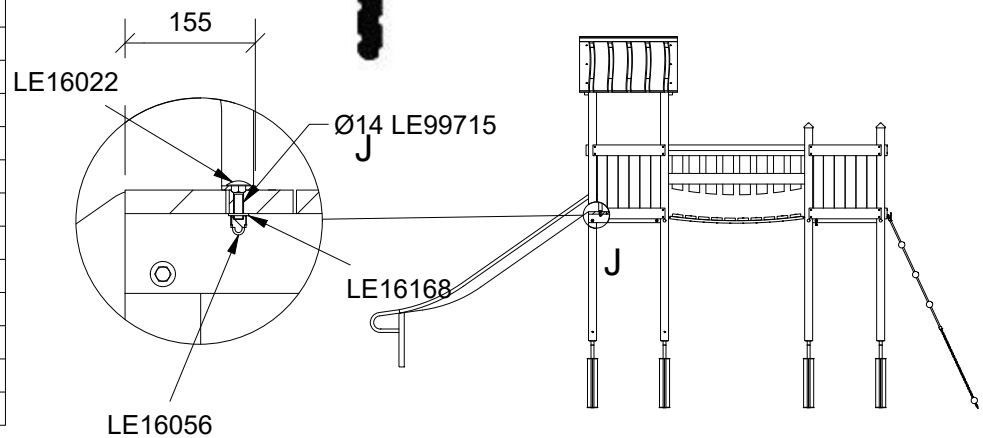
G-G (1 : 40)

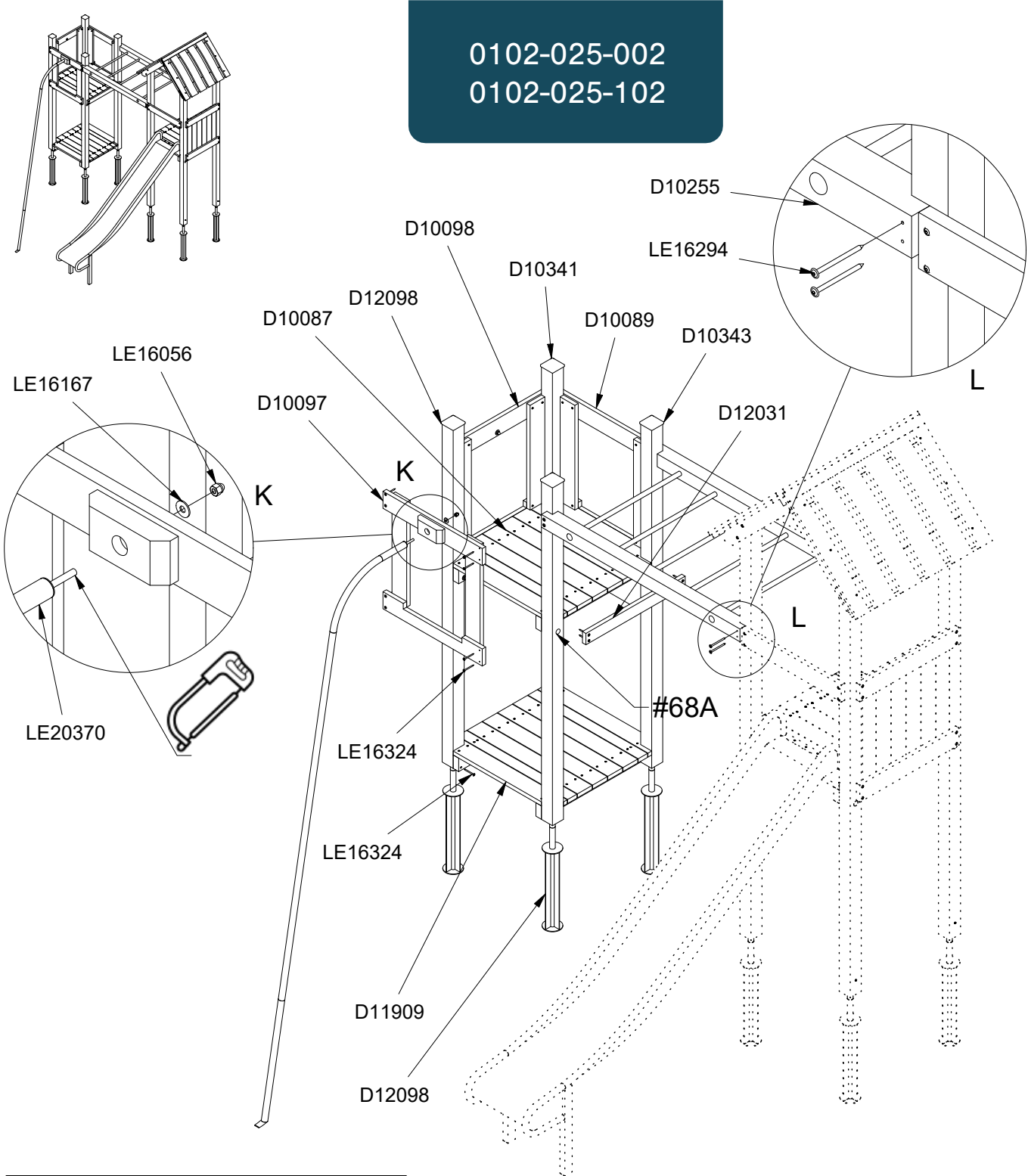


Parts List		
QTY	PART NO	DESCRIP.
1	D10087	Floor
1	D12030	Suspended bridge
4	D12152	Post for roof
4	LE16015	10x70
4	LE16093	M10x130mm
8	LE16153	M10 - Ø29mm
4	LE16548	Cap Ø28 hole
1	LE16599	Sealtite 970 1,5ml
1	LE99711	Ø11mm, l=190/120 mm
4	S22262	M10 cap nut



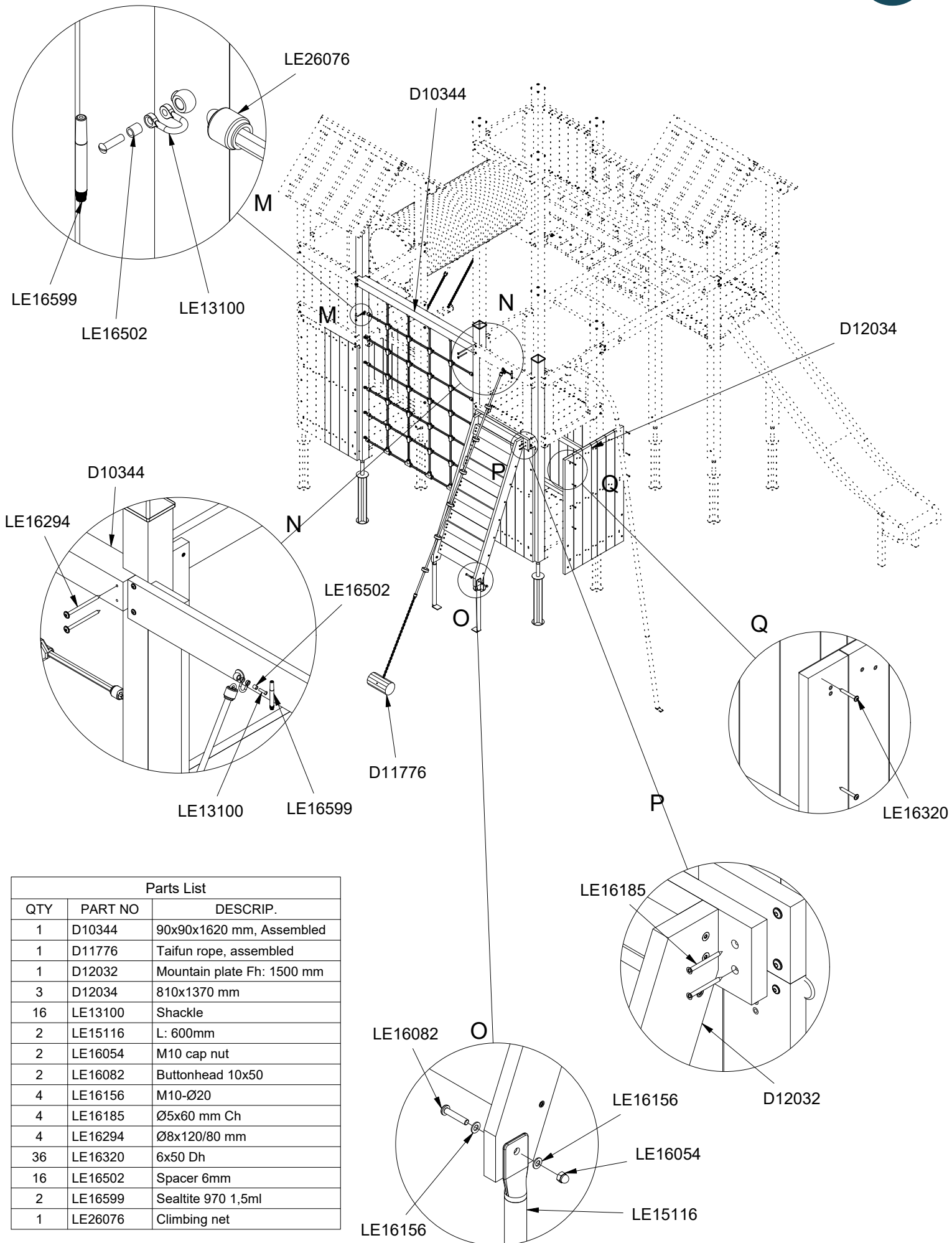
Parts List		
QTY	PART NO	DESCRIP.
1	D10087	Floor
1	D10088	Sidepanels
1	D10093	Roof underlying
1	D10094	Roof overlying
2	D10096	Roof trusses
2	D10256	Barriers
1	D12062	28x120 mm
2	LE16022	M12x40 mm
2	LE16056	M12 cap nut
2	LE16168	M12 - Ø24 mm
4	LE16179	Ø5x30mm Ch
3	LE16182	Ø5x50mm
12	LE16192	5x80mm
8	LE16323	6x100 Dh
28	LE16324	6x80 Dh
1	LE22006	Slide
1	LE99715	Ø14mm, l=200/130mm



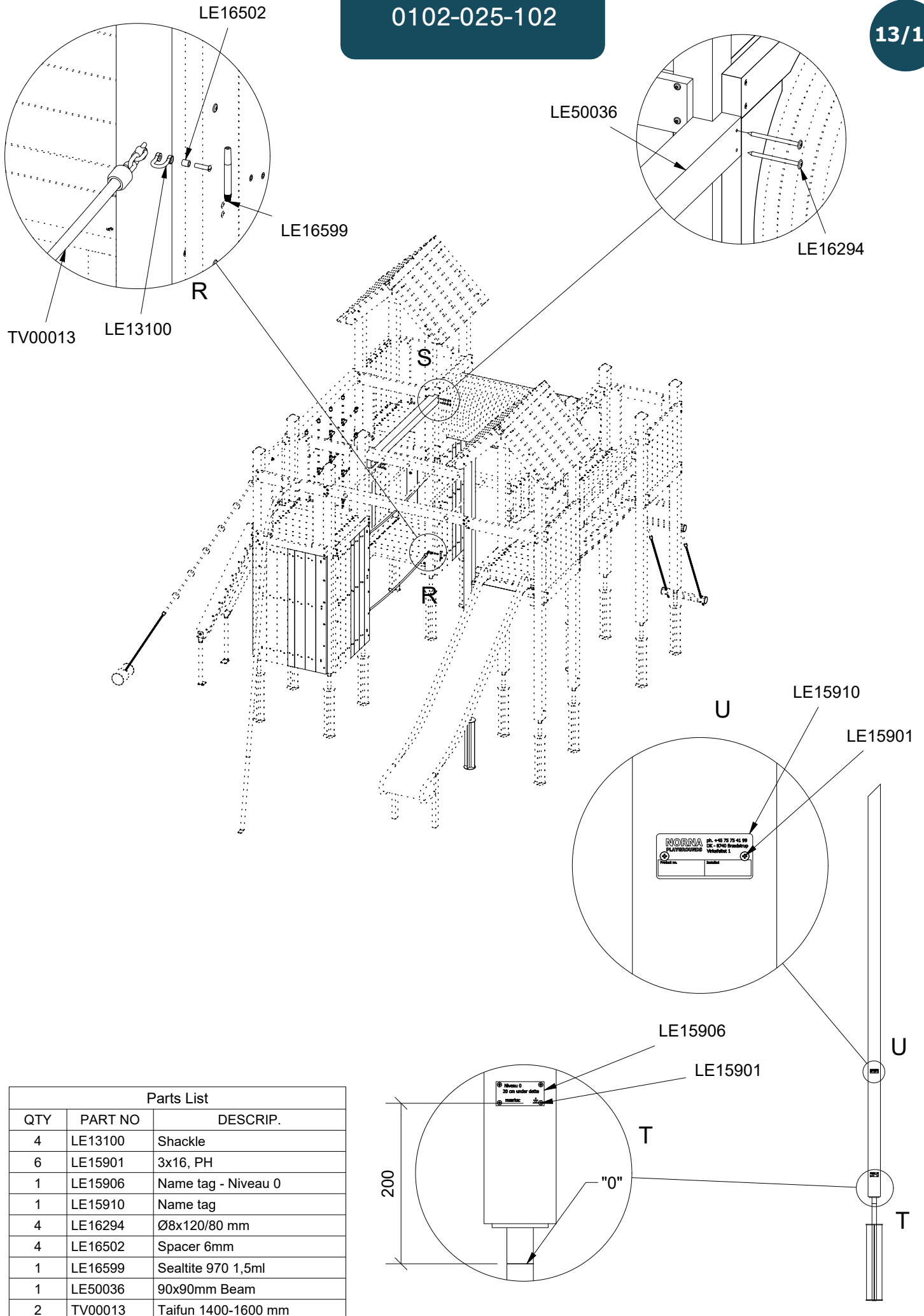


Parts List

QTY	PART NO	DESCRIP.
1	D10087	Floor
1	D10089	Sidepanels
1	D10097	Barriers for firemans pole
1	D10098	Barriers for mountain plate
1	D10255	Brachiat
1	D10341	Post
1	D10343	Post
1	D11909	Floor
1	D12031	28x120x810 mm
2	D12098	Post
1	LE16056	M12 cap nut
4	LE16093	M10x130mm
4	LE16153	M10 - Ø29mm
1	LE16167	M12 - Ø32 mm
8	LE16294	Ø8x120/80 mm
32	LE16324	6x80 Dh
4	LE16548	Cap Ø28 hole
1	LE20370	Sliding pole



Parts List		
QTY	PART NO	DESCRIP.
1	D10344	90x90x1620 mm, Assembled
1	D11776	Taifun rope, assembled
1	D12032	Mountain plate Fh: 1500 mm
3	D12034	810x1370 mm
16	LE13100	Shackle
2	LE15116	L: 600mm
2	LE16054	M10 cap nut
2	LE16082	Buttonhead 10x50
4	LE16156	M10-Ø20
4	LE16185	Ø5x60 mm Ch
4	LE16294	Ø8x120/80 mm
36	LE16320	6x50 Dh
16	LE16502	Spacer 6mm
2	LE16599	Sealtite 970 1,5ml
1	LE26076	Climbing net



Parts List		
QTY	PART NO	DESCRIP.
4	LE13100	Shackle
6	LE15901	3x16, PH
1	LE15906	Name tag - Niveau 0
1	LE15910	Name tag
4	LE16294	Ø8x120/80 mm
4	LE16502	Spacer 6mm
1	LE16599	Sealite 970 1,5ml
1	LE50036	90x90mm Beam
2	TV00013	Taifun 1400-1600 mm