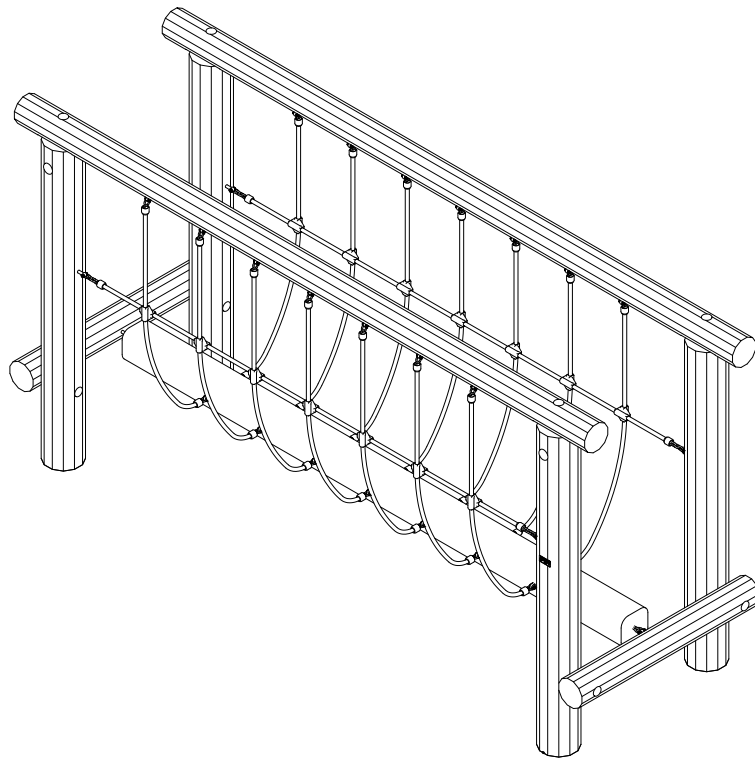
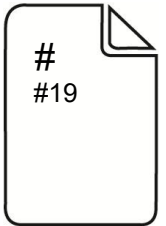
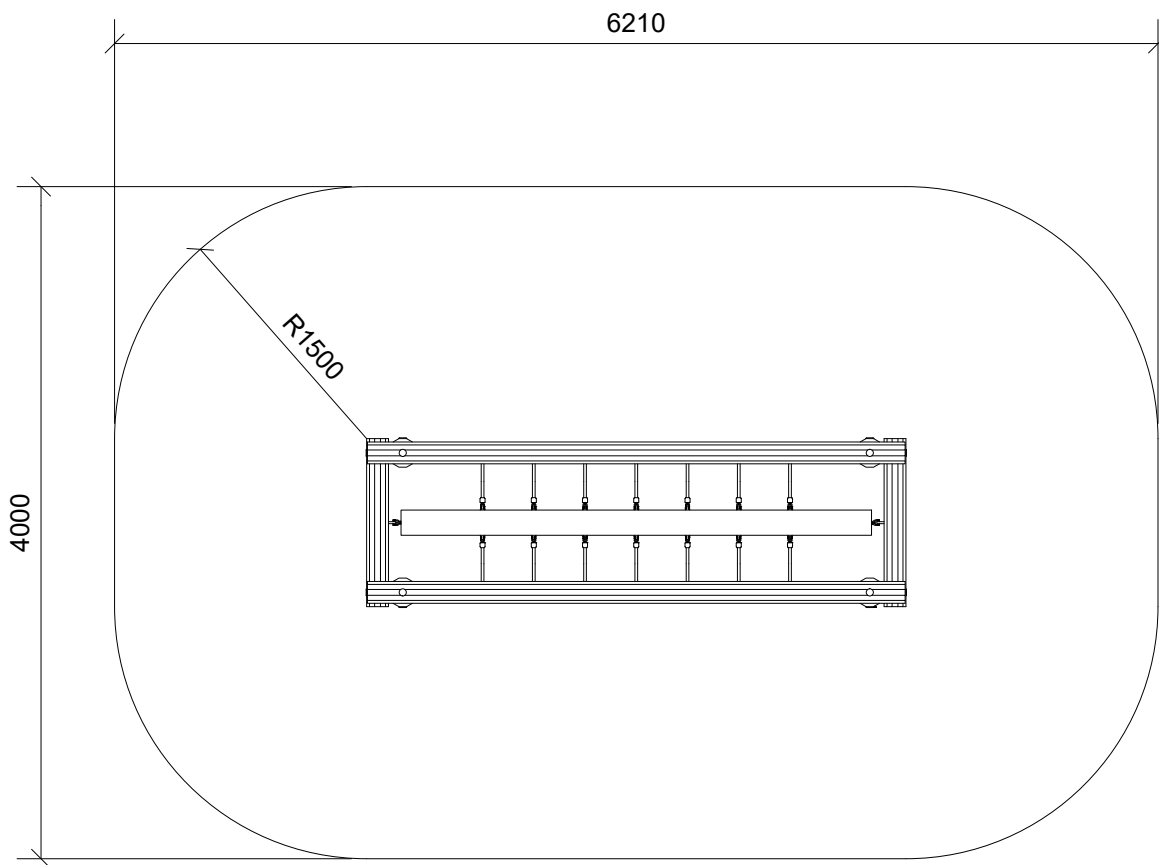
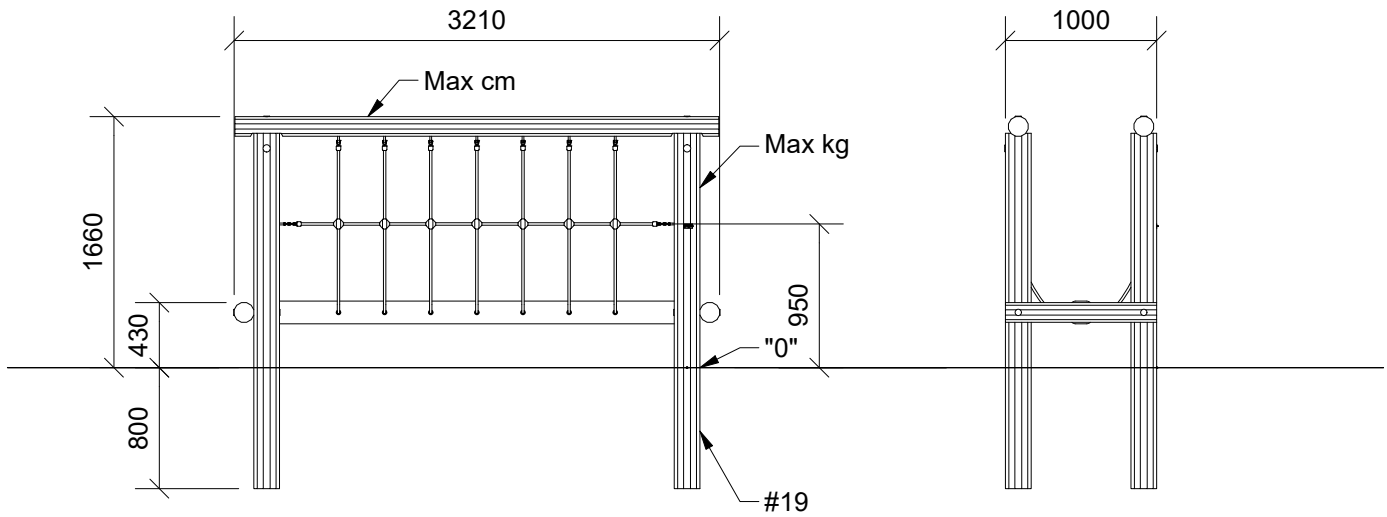


LE20924U
LE20924

1/6



LE20924U
LE20924



2



6h



23 m²



6,2 x 4 x 1,66 m



~372 kg



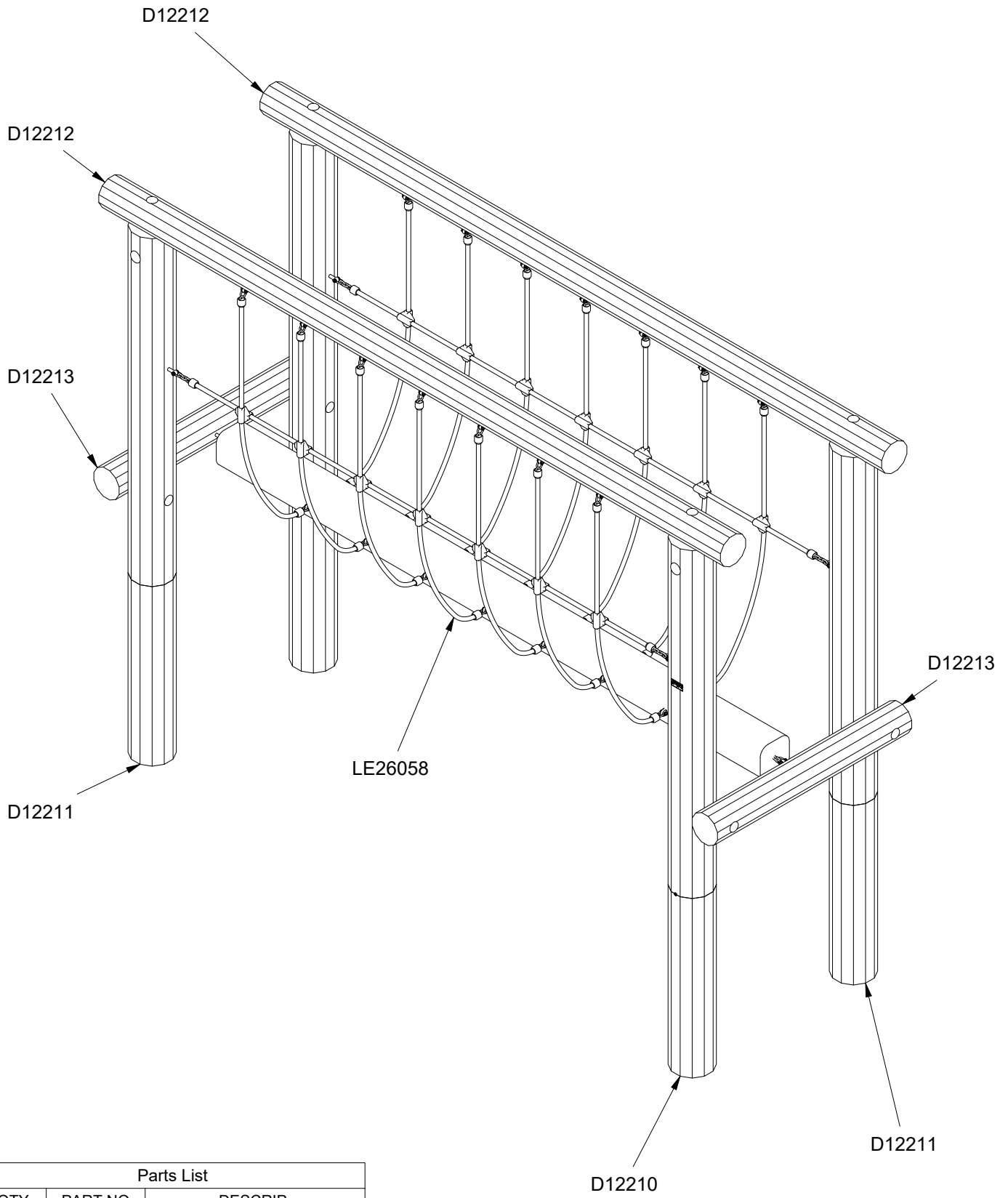
~0,15 m³



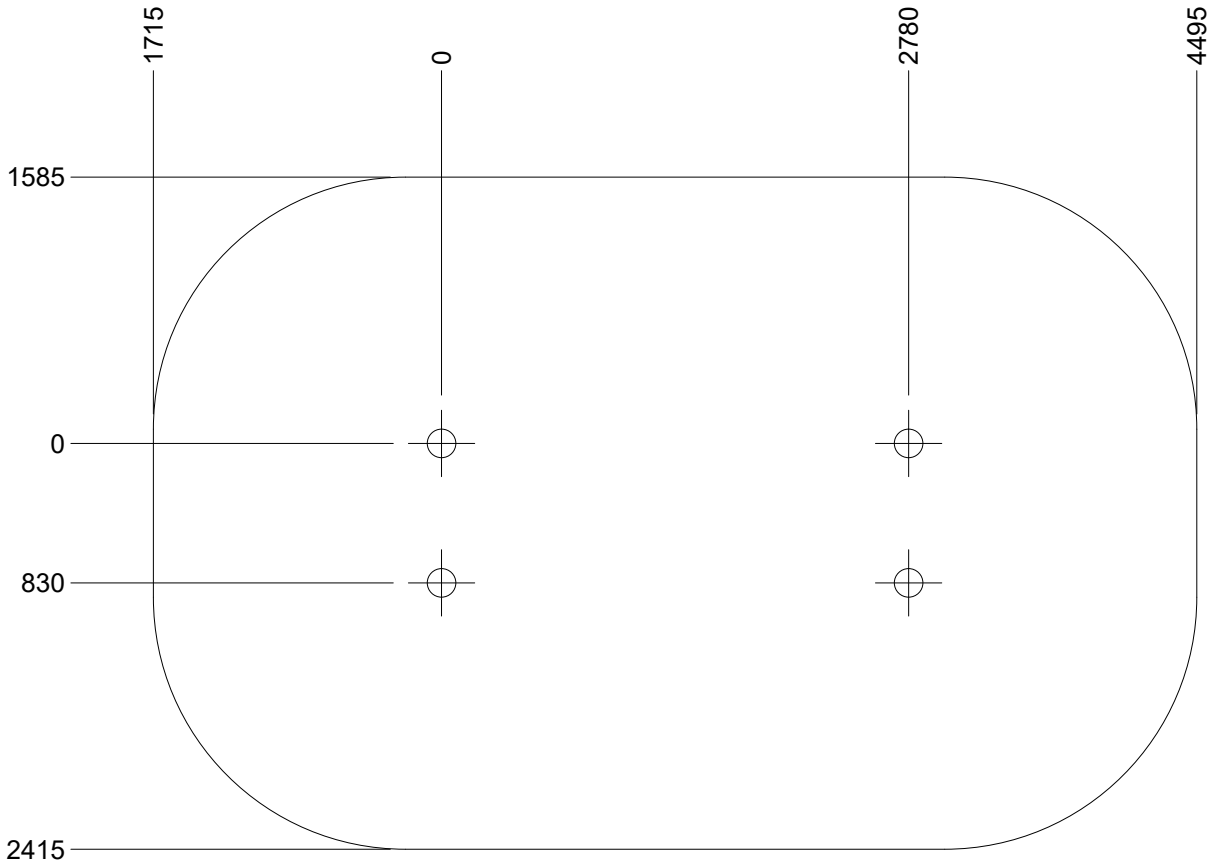
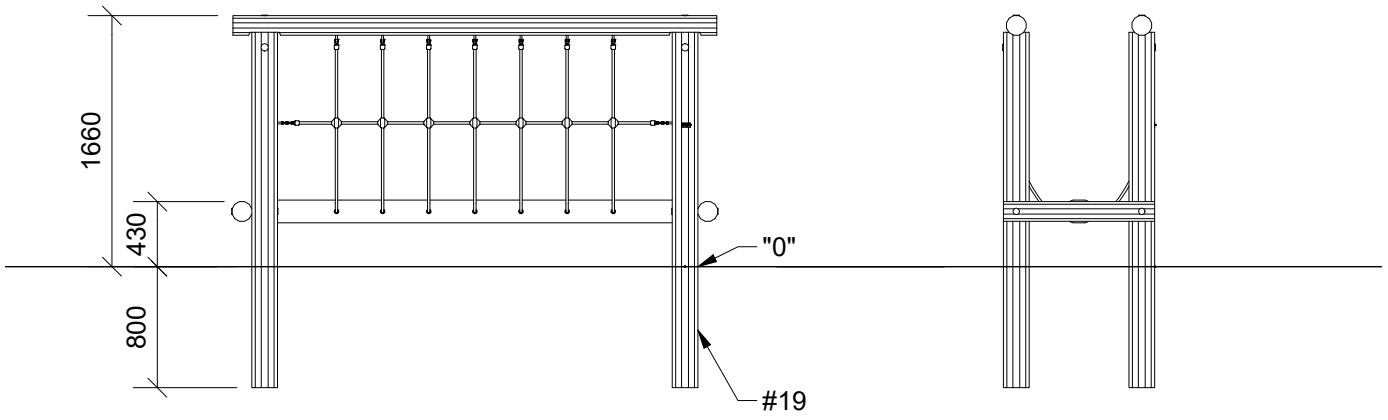
Ø12/14 x 320 cm

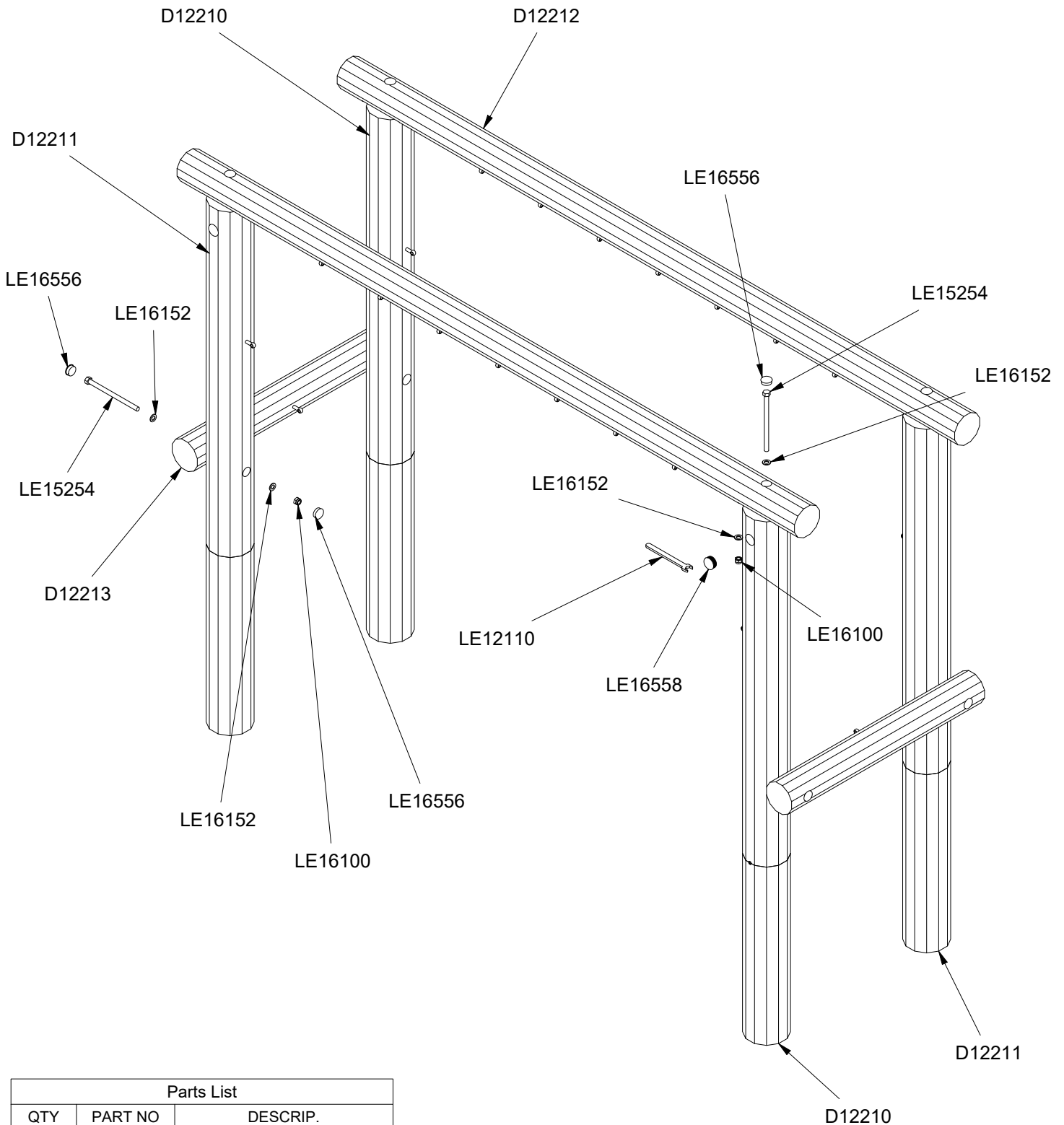


50 kg

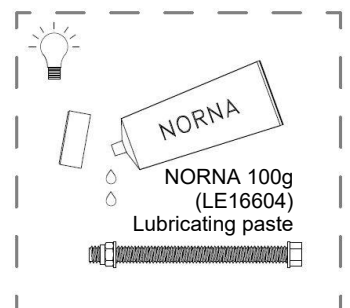


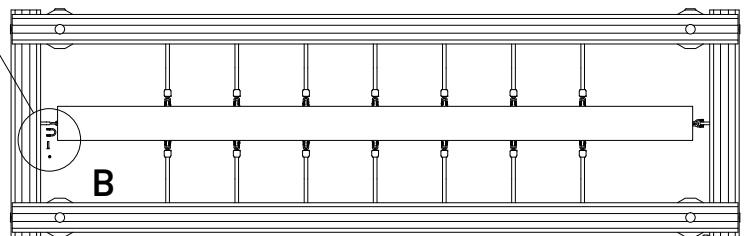
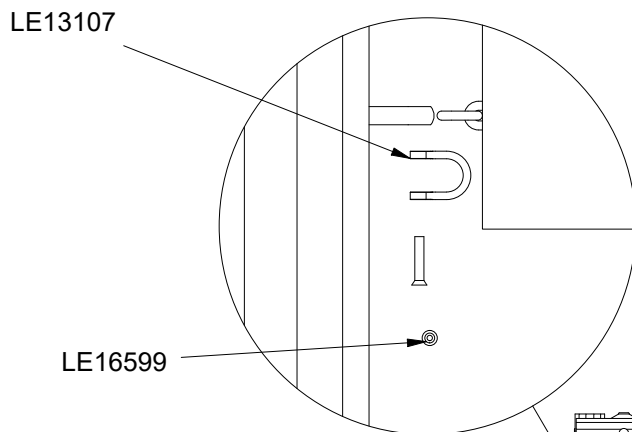
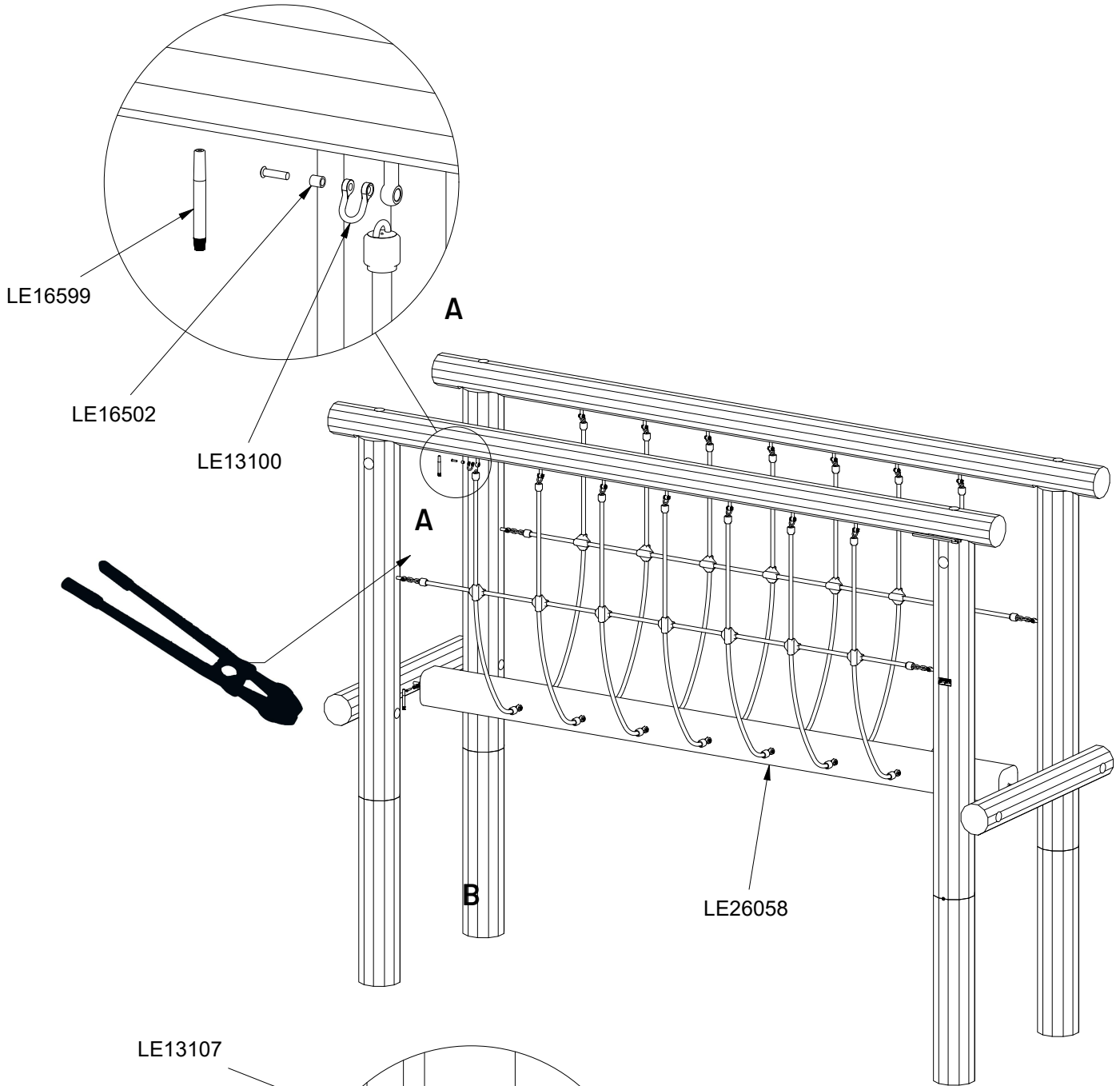
| Parts List | | |
|------------|---------|----------|
| QTY | PART NO | DESCRIP. |
| 2 | D12210 | Ø6/18 |
| 2 | D12211 | Ø6/18 |
| 2 | D12212 | Ø12/14 |
| 2 | D12213 | Ø12/14 |
| 2 | LE13107 | Shackle |
| 1 | LE26058 | Taifun |





| Parts List | | |
|------------|---------|--------------|
| QTY | PART NO | DESCRIP. |
| 2 | D12210 | Ø6/18 |
| 2 | D12211 | Ø6/18 |
| 2 | D12212 | Ø12/14 |
| 2 | D12213 | Ø12/14 |
| 1 | LE12110 | Spanner |
| 8 | LE15254 | M16x250mm |
| 8 | LE16100 | M16 nut |
| 16 | LE16152 | M16 - Ø30 mm |
| 12 | LE16556 | Ø42/38mm |
| 4 | LE16558 | Ø48/44,5mm |





| Parts List | | |
|------------|---------|--------------------|
| QTY | PART NO | DESCRIP. |
| 18 | LE13100 | Shackle |
| 2 | LE13107 | Shackle |
| 18 | LE16502 | Spacer 6mm |
| 2 | LE16599 | Sealtite 970 1,5ml |
| 1 | LE26058 | Taifun |