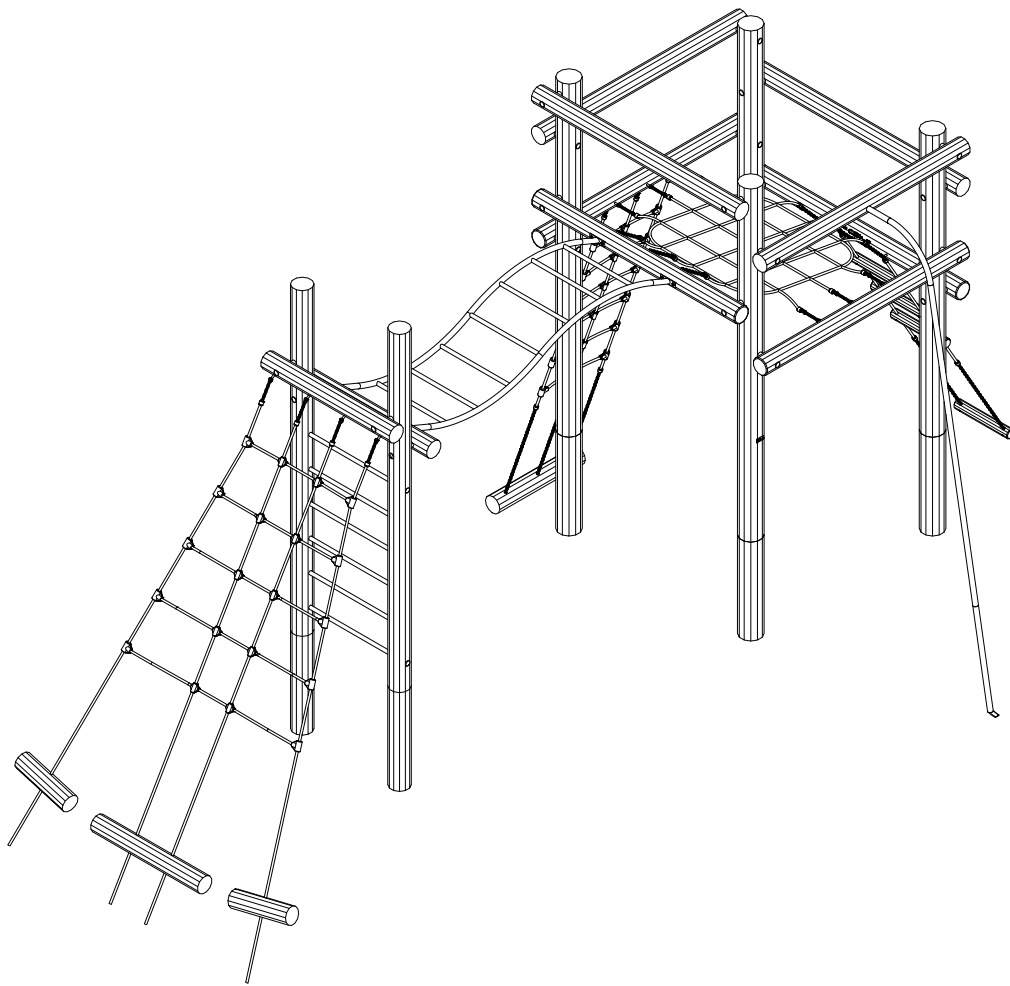
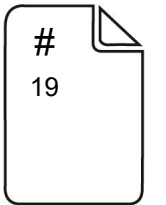
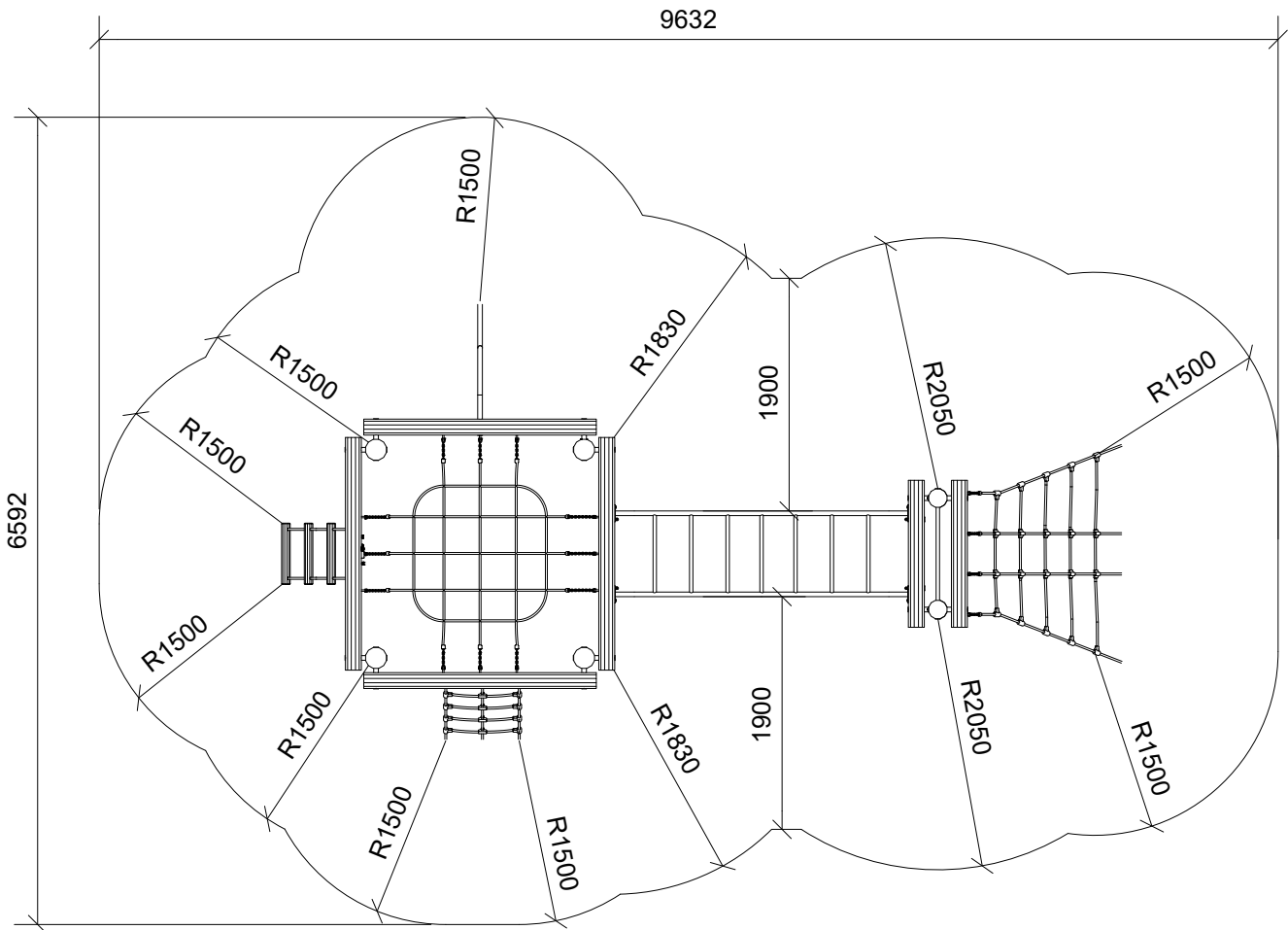
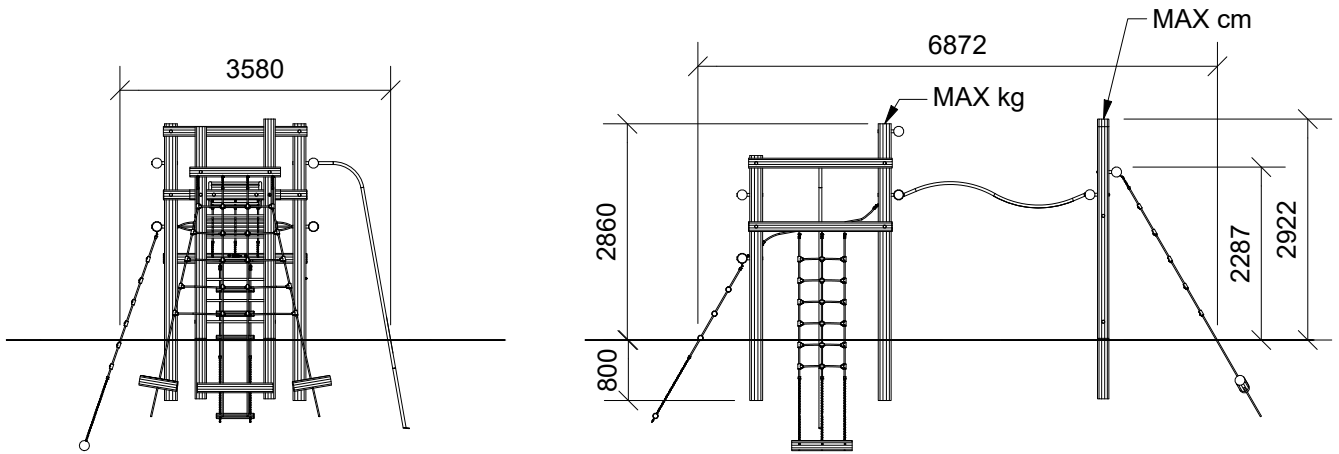


LE20420U
LE20420

1/9





12t



2



47m²



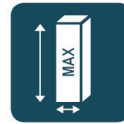
9,7 x 6,6 x 2,3 m



~722 kg



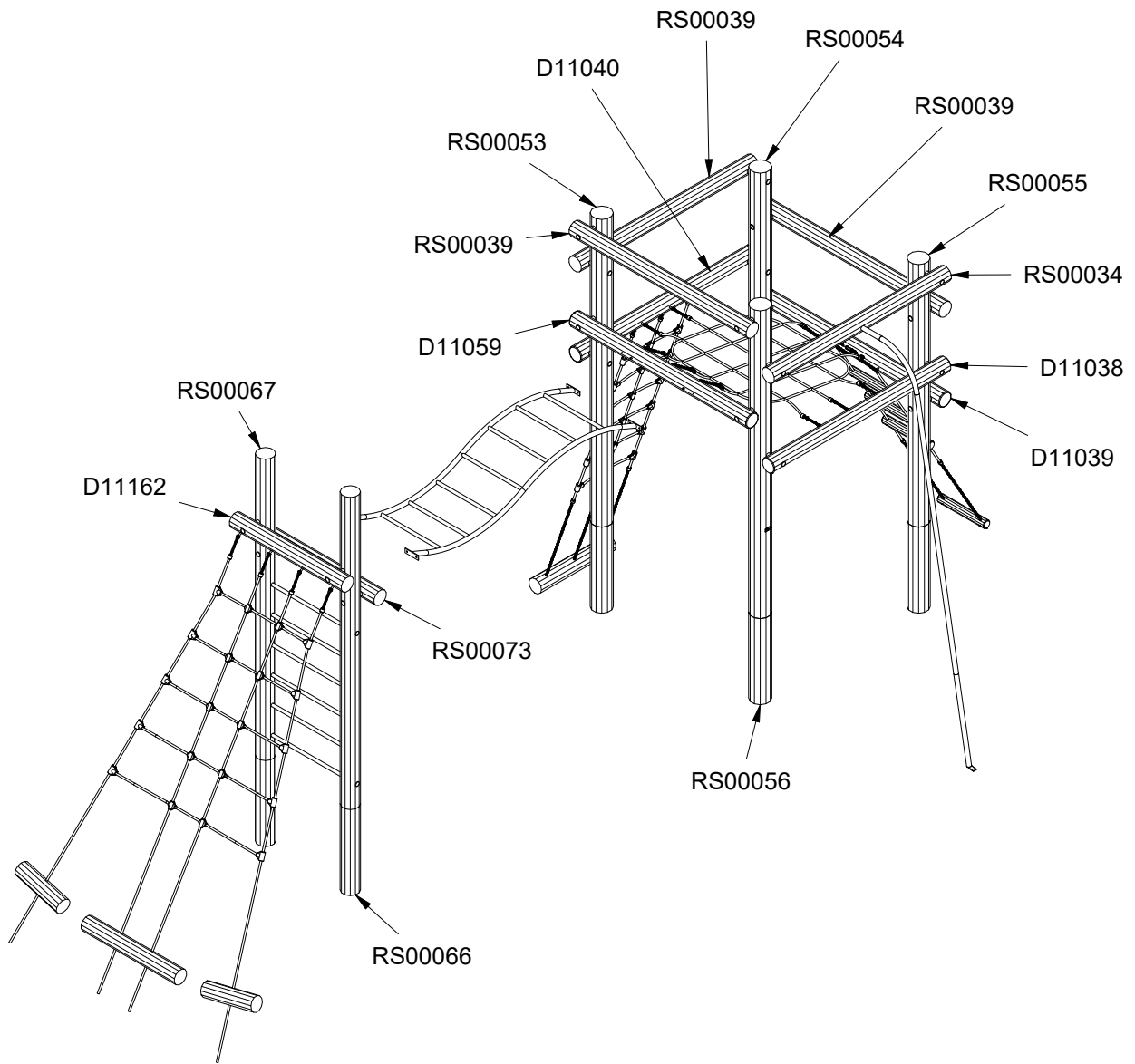
0,23m³



Ø16x360cm

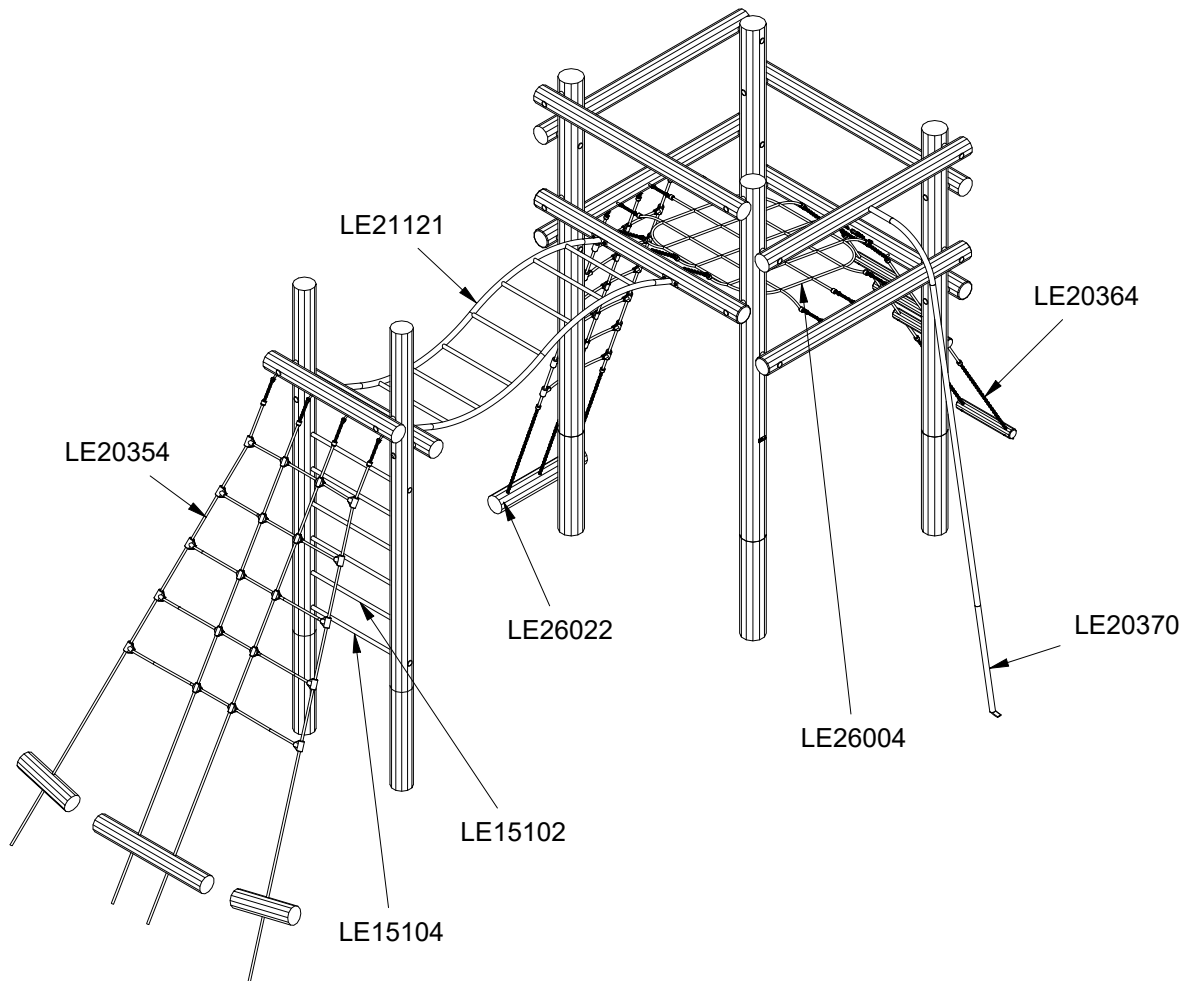


80kg



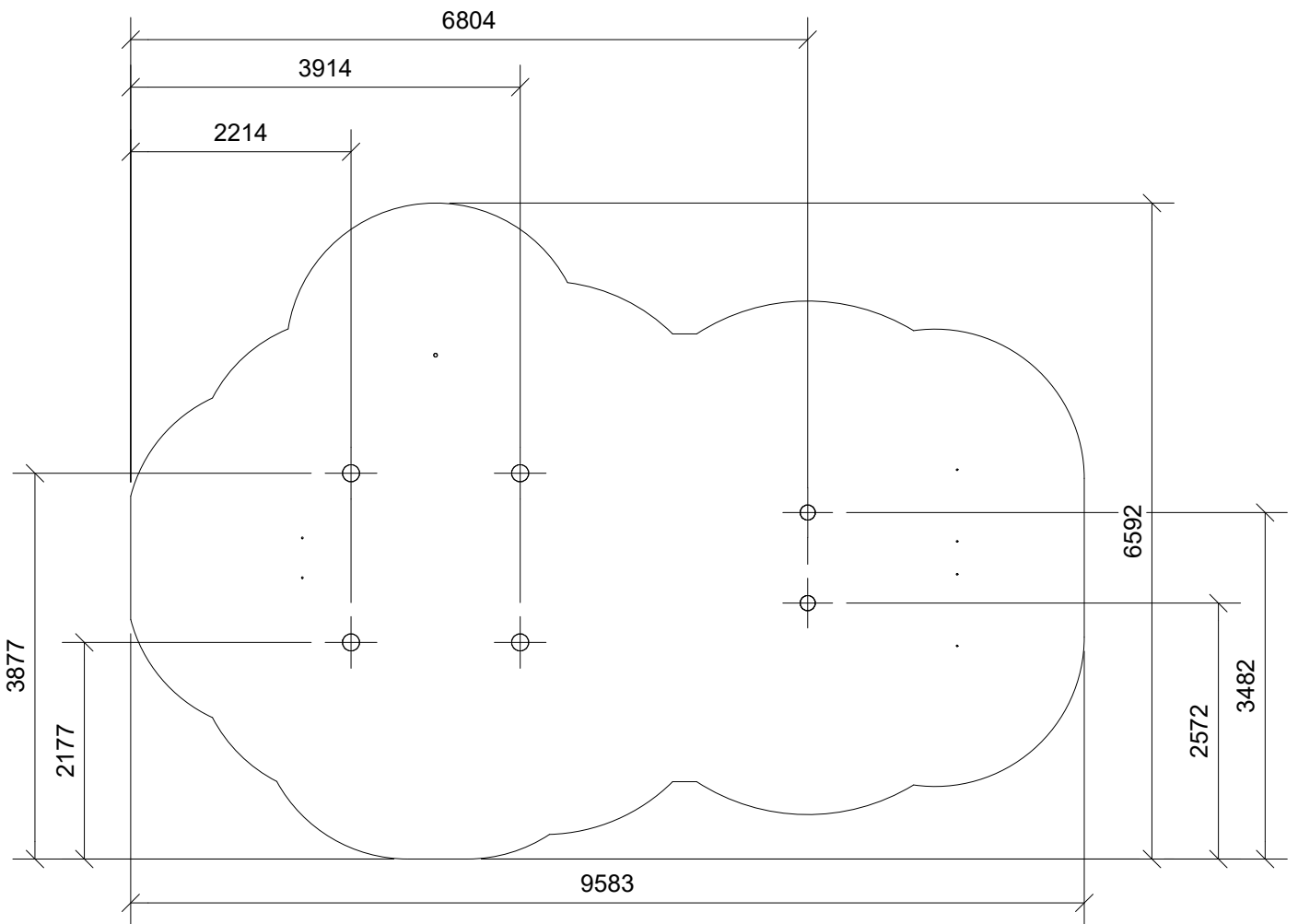
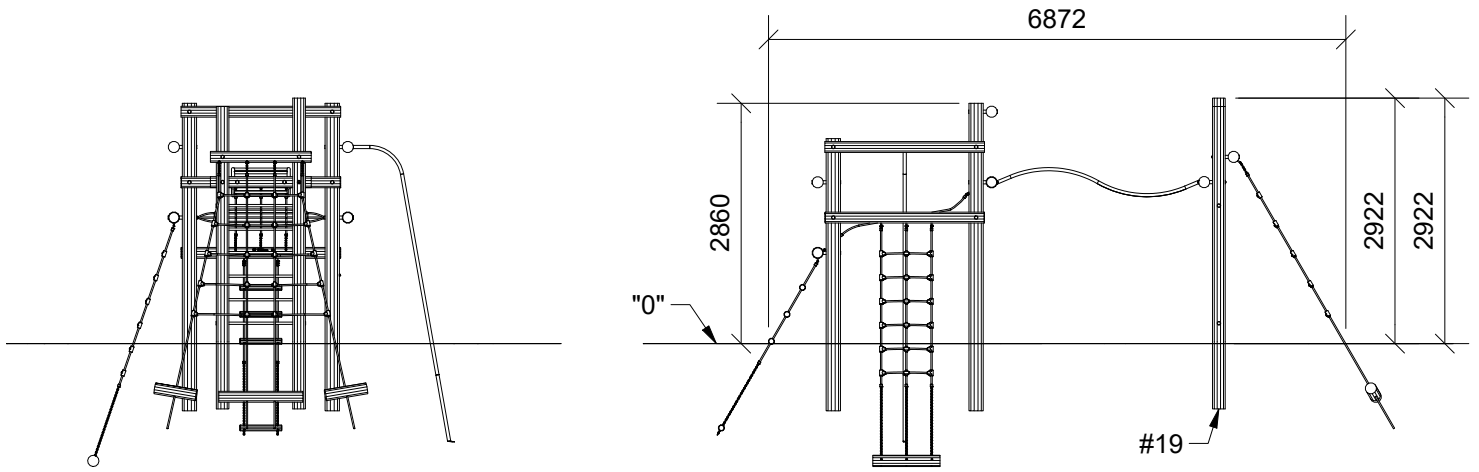
Parts List

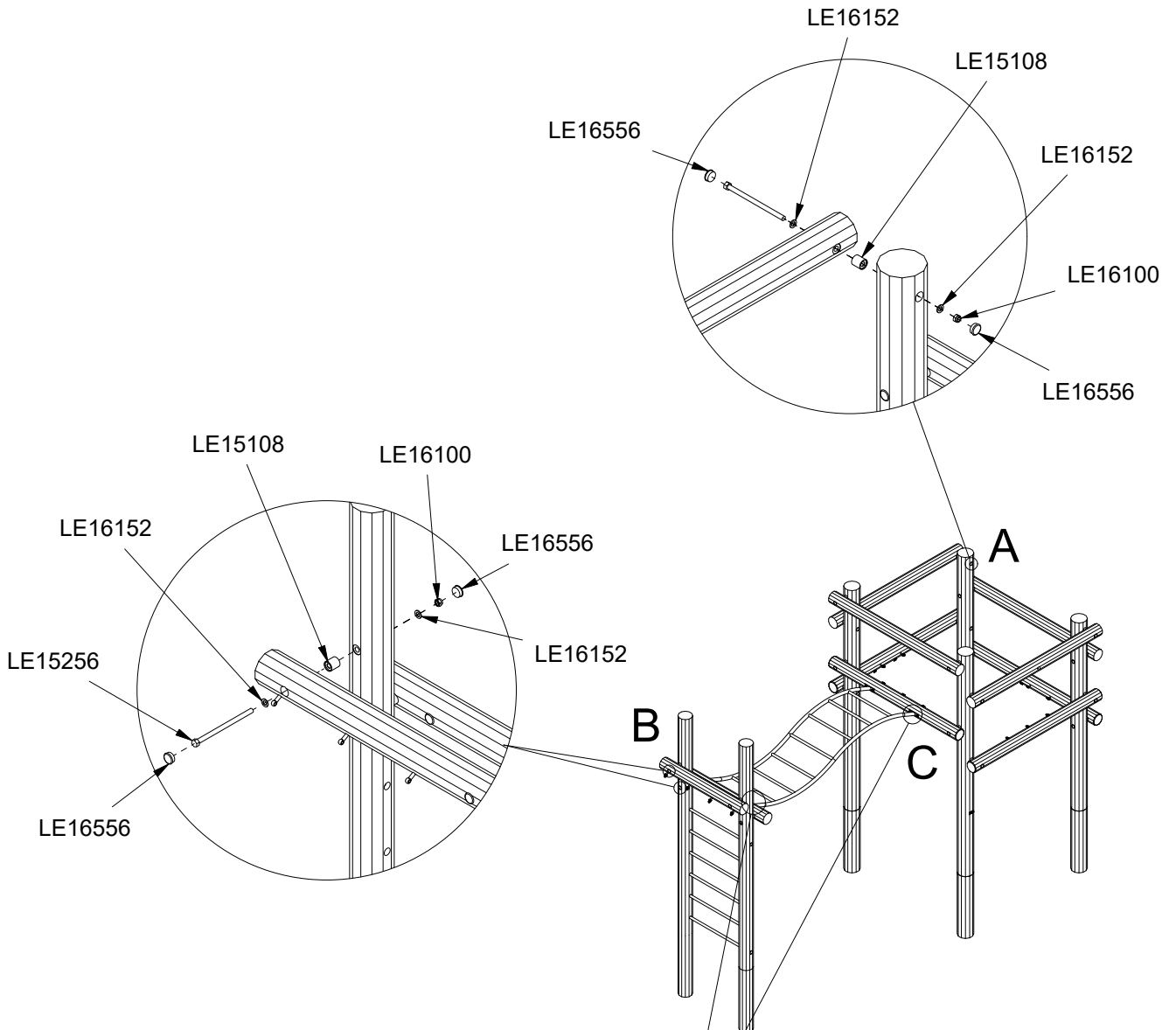
QTY	PART NO	DESCRIP.
1	D11038	Ø120-140x1900mm, w. fittings
1	D11039	Ø120-140x1900mm, w. fittings
1	D11040	Ø120-140x1900mm, w. fittings
1	D11059	Ø120-140x1900mm, w. fittings
1	D11162	Ø120-140x1200mm, w. fittings
1	RS00034	Ø120/140mm
3	RS00039	Ø120/140mm
1	RS00053	Ø160-180x3660mm
1	RS00054	Ø160-180x3240mm
1	RS00055	Ø160-180x3240mm
1	RS00056	Ø160-180x3660mm
1	RS00066	Ø140-160x3700mm
1	RS00067	Ø140-160x3600mm
1	RS00073	Ø120-140x1200mm
1	LE20370	Sliding pole



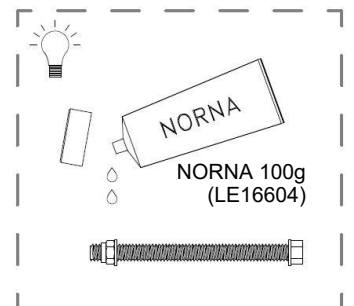
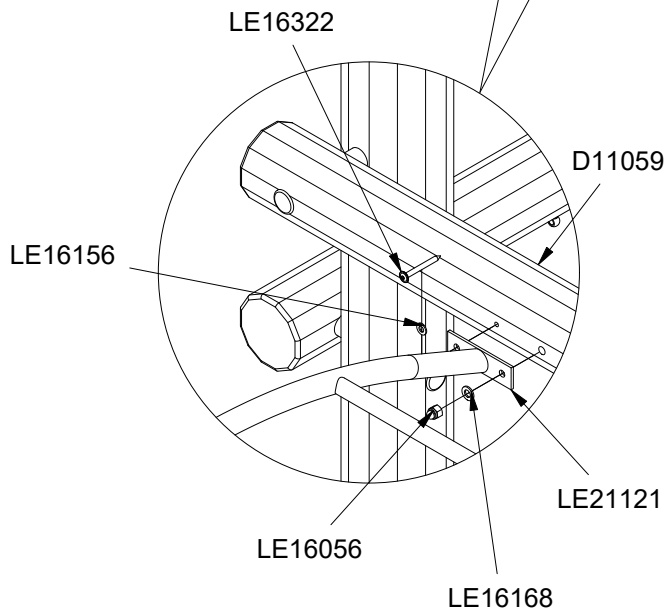
Parts List

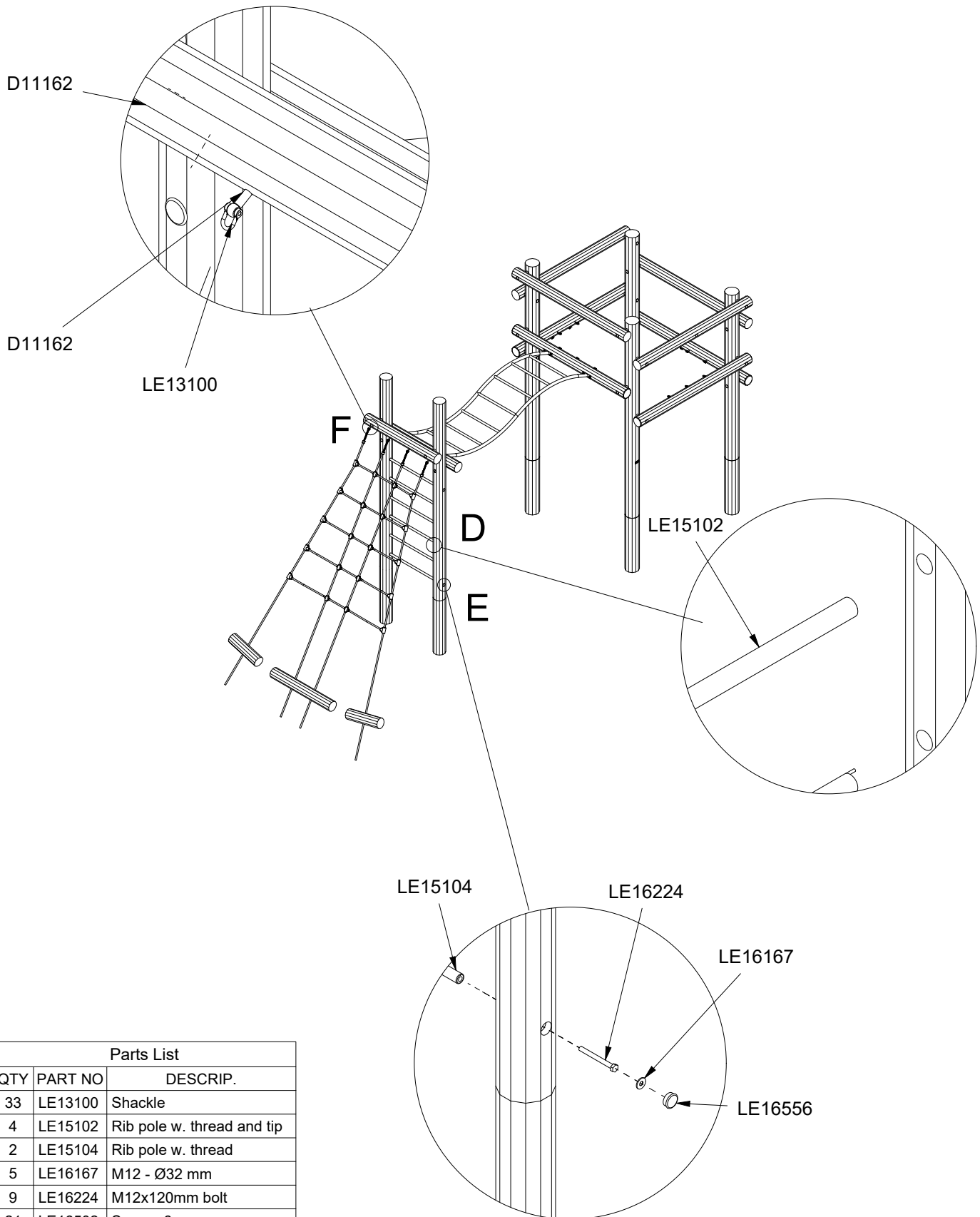
QTY	PART NO	DESCRIP.
2	LE15104	Rib pole w. thread
4	LE15102	Rib pole w. thread and tip
1	LE20354	Taifun net
1	LE26004	Taifun climbing net
1	LE20364	Taifun
1	LE26022	Taifun net ladder, 200cm
1	LE20370	Sliding pole



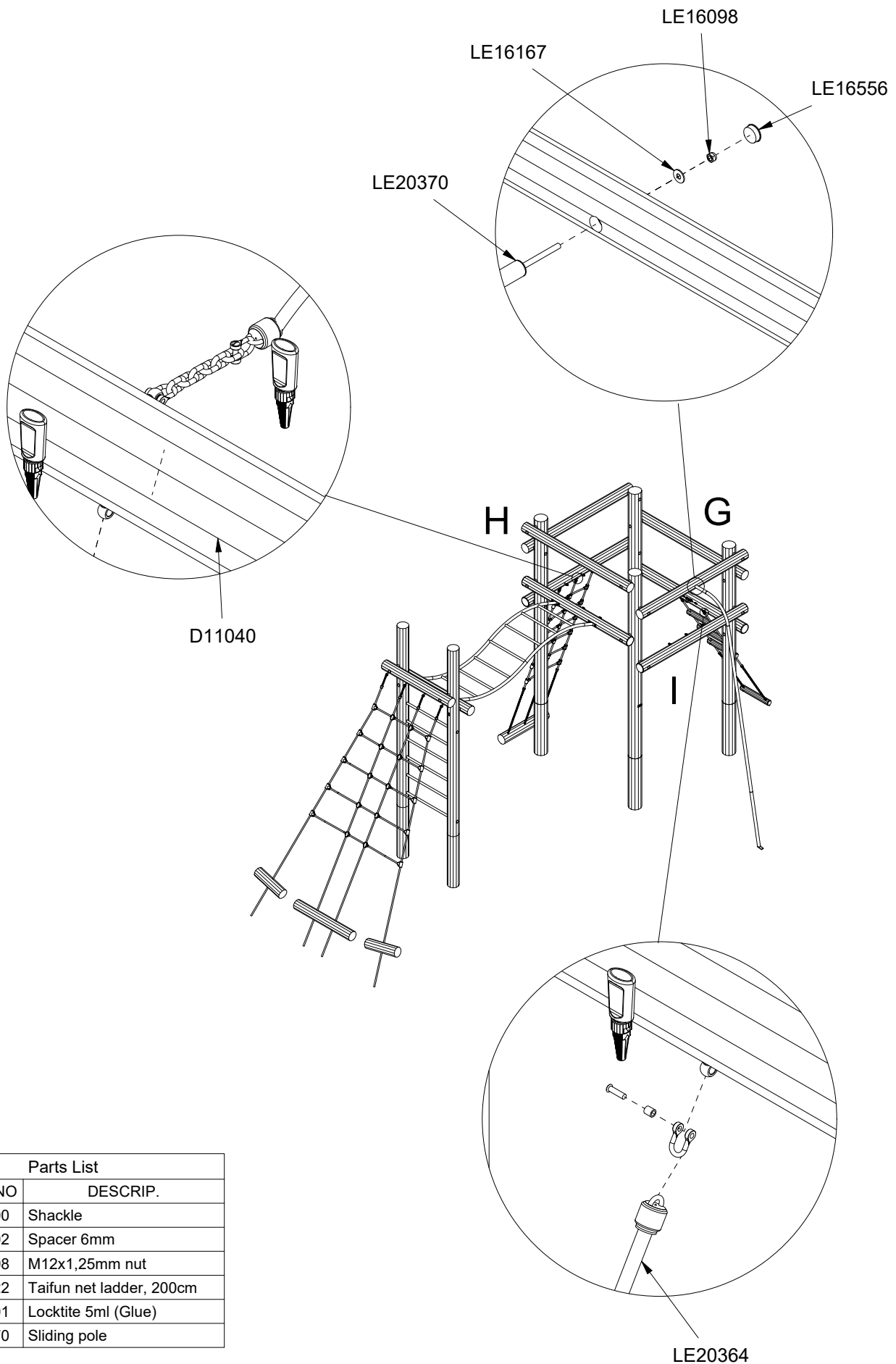


Parts List		
QTY	PART NO	DESCRIP.
21	LE15108	Ø38 x40mm Spacer
20	LE15256	M16x270mm
4	LE16056	M12 cap nut
20	LE16100	M16 nut
40	LE16152	M16 - Ø30 mm
4	LE16156	M10-Ø20
4	LE16168	M12 - Ø24 mm
9	LE16224	M12x120mm bolt
4	LE16322	Ø8x80 Dh
49	LE16556	Ø42/38mm
1	LE20370	Sliding pole





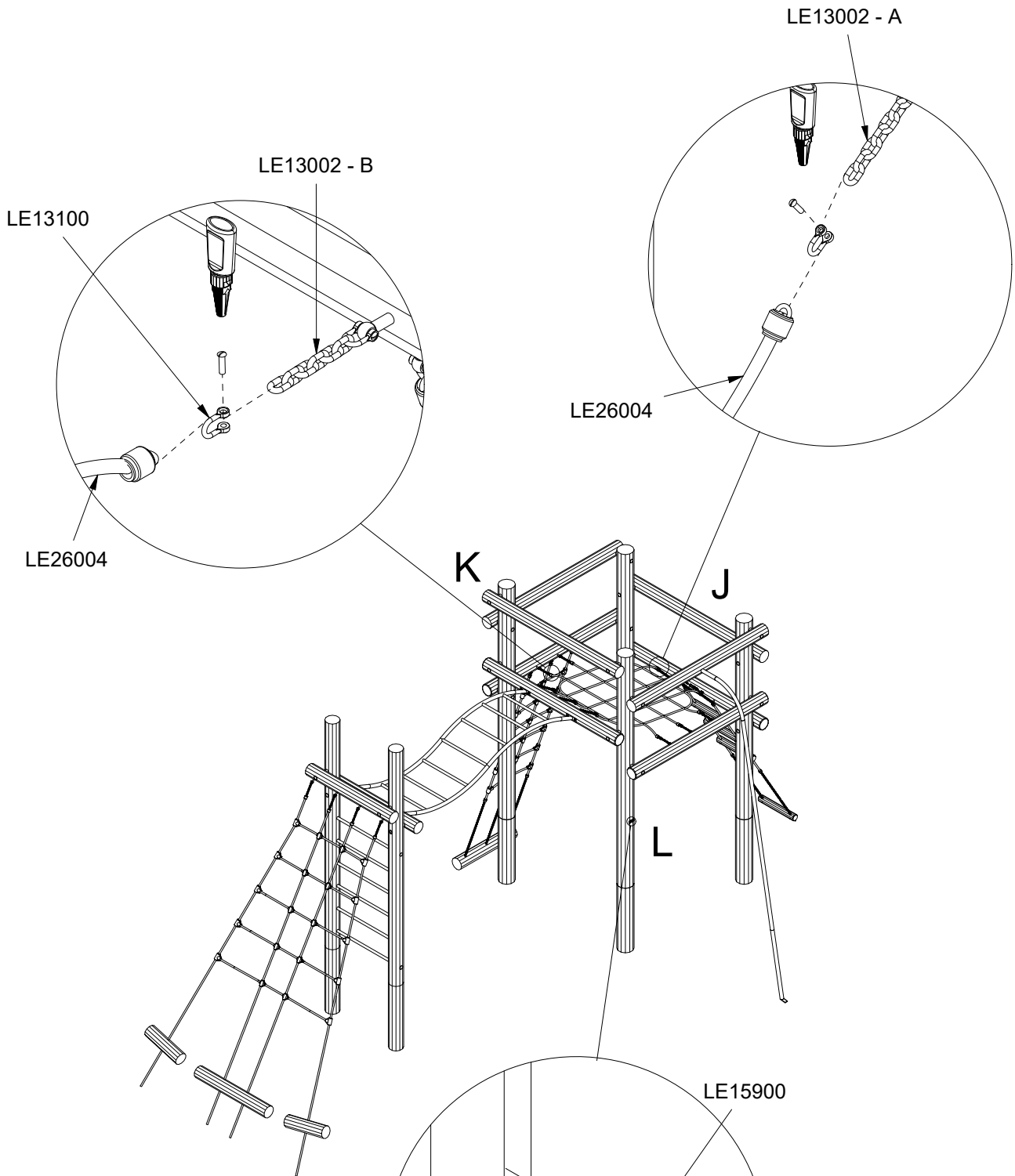
Parts List		
QTY	PART NO	DESCRIP.
33	LE13100	Shackle
4	LE15102	Rib pole w. thread and tip
2	LE15104	Rib pole w. thread
5	LE16167	M12 - Ø32 mm
9	LE16224	M12x120mm bolt
21	LE16502	Spacer 6mm
49	LE16556	Ø42/38mm
1	LE26022	Taifun net ladder, 200cm
1	LE16601	Locktite 5ml (Glue)
1	LE20370	Sliding pole



Parts List

QTY	PART NO	DESCRIP.
33	LE13100	Shackle
21	LE16502	Spacer 6mm
2	LE16098	M12x1,25mm nut
1	LE26022	Taifun net ladder, 200cm
1	LE16601	Loctite 5ml (Glue)
1	LE20370	Sliding pole

LE20364



Parts List		
QTY	PART NO	DESCRIP.
33	LE13100	Shackle
21	LE16502	Spacer 6mm
6	LE13002 - A	Chain long
6	LE13002 - B	Chain short
1	LE15900	Name tag
2	LE15901	3x16, PH
1	LE20370	Sliding pole