

2



10h



39m²



9,7x5x3m



~298 kg



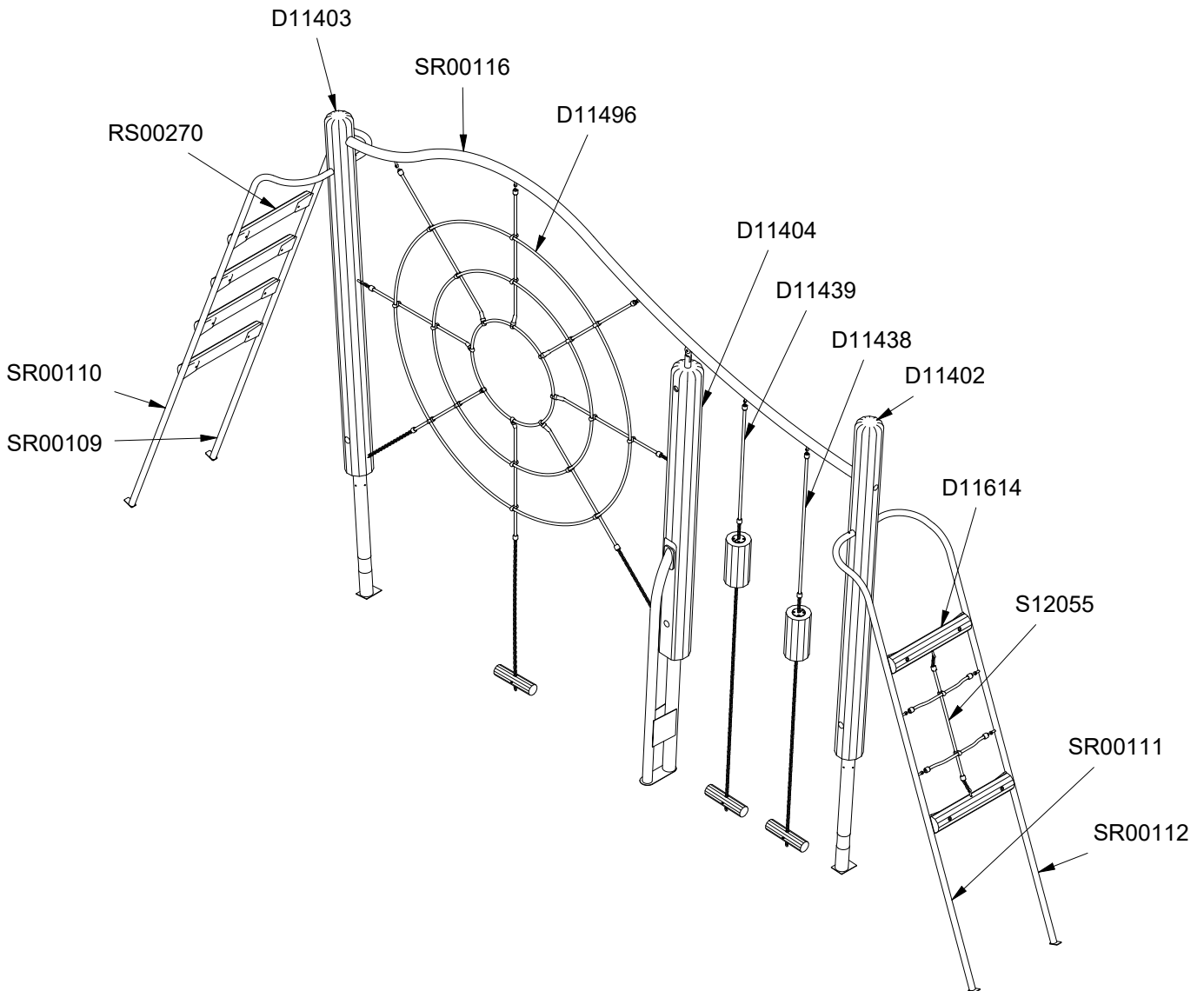
~0,25m³



6x62x445cm

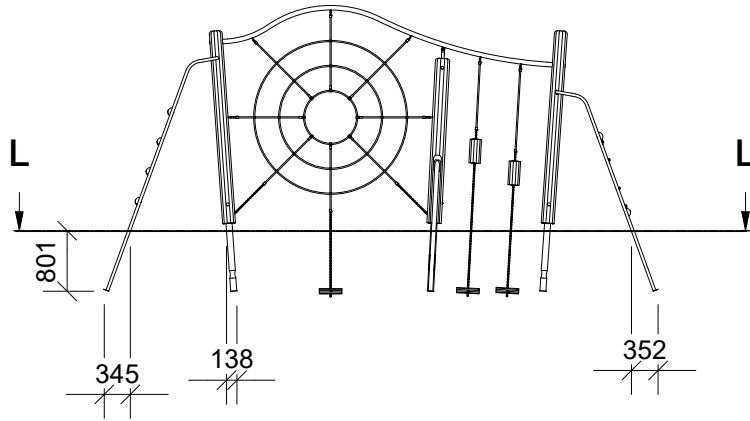


75kg

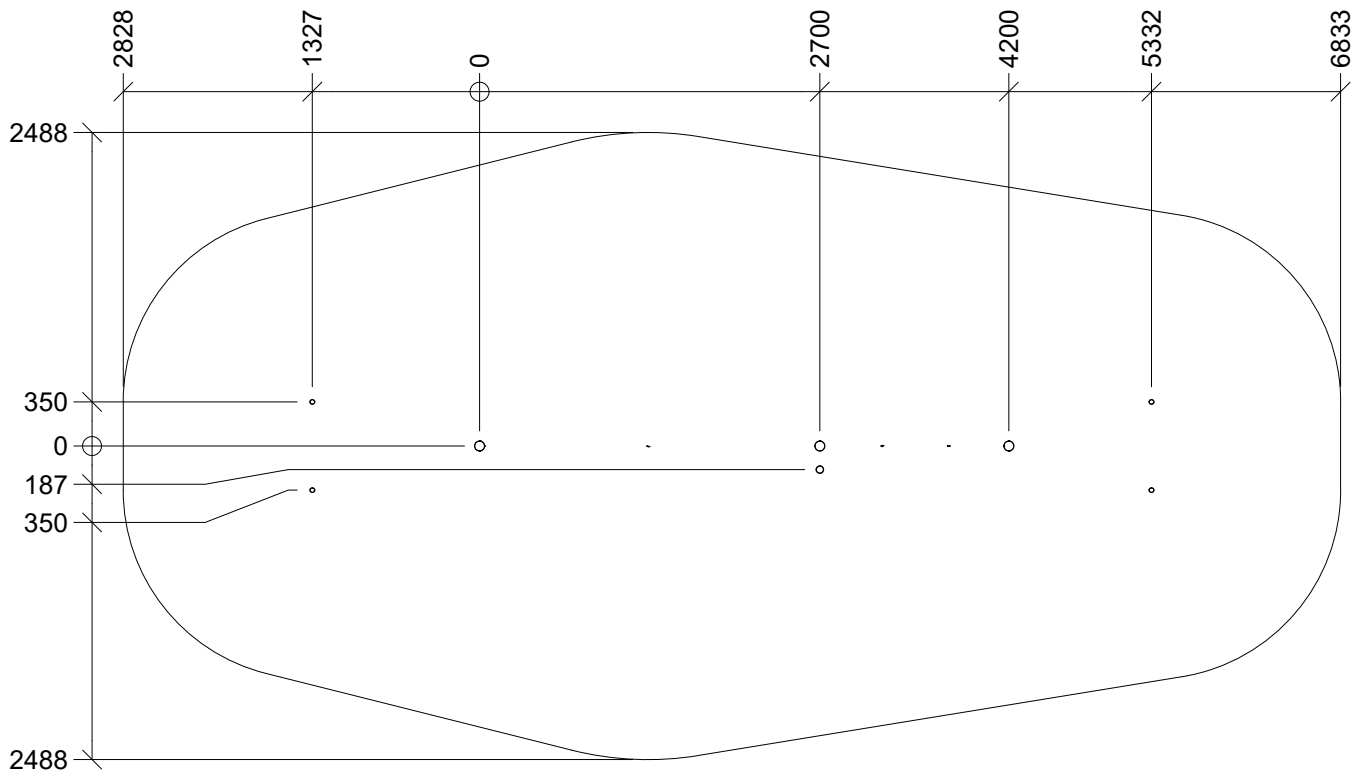


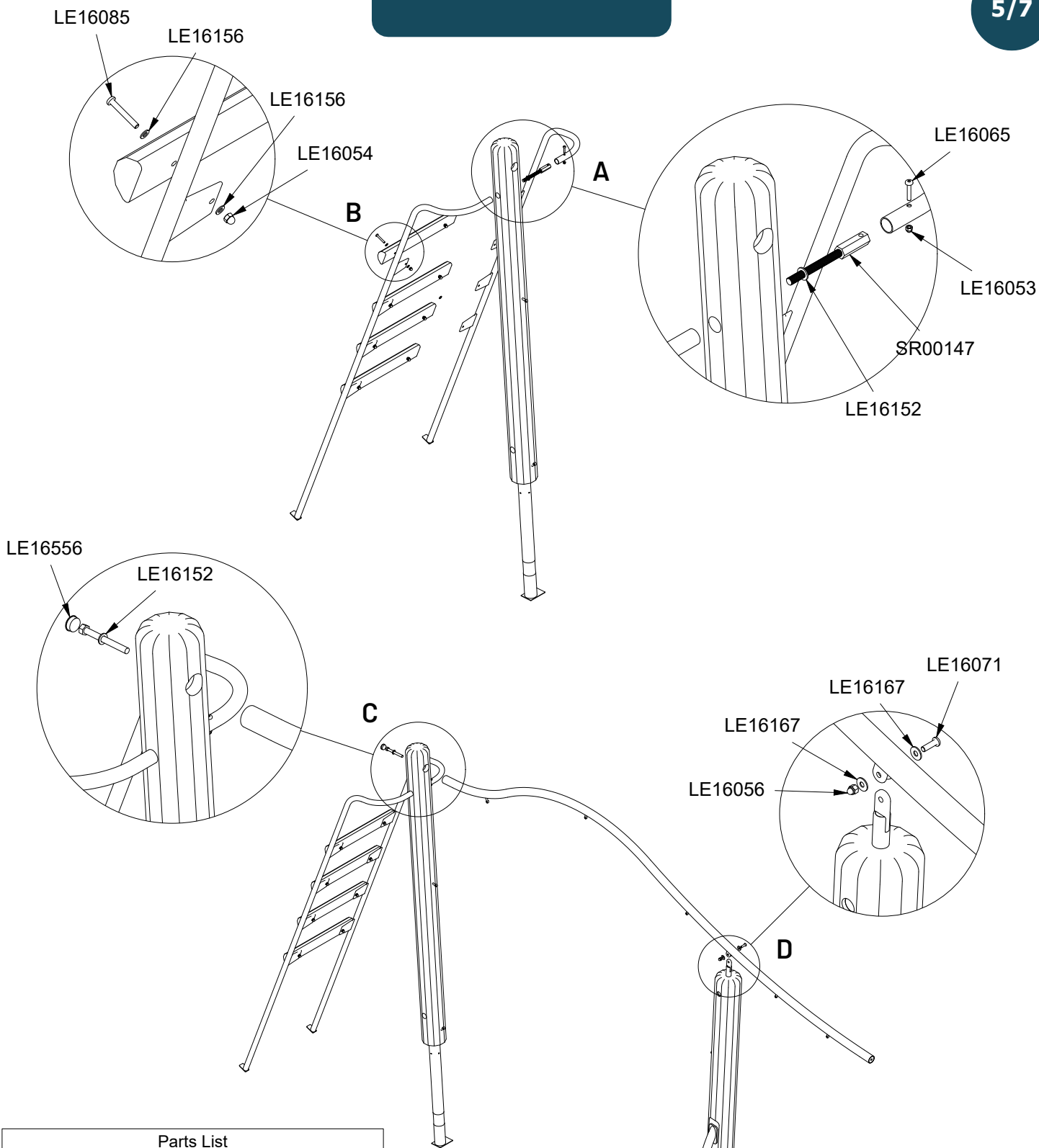
Parts List

QTY	PART NO	DESCRIP.
1	D11402	Ø180x3490mm, assembled
1	D11403	Ø180x3490mm, assembled
1	D11404	Ø200x3250mm, assembled
1	D11438	Block/chain 90cm
1	D11439	Block/chain 90cm
1	D11496	Taifun
2	D11614	Ø120x650mm, assembled
4	RS00270	Ø110x650mm
1	S12055	Taifun
1	SR00109	Left ladder frame
1	SR00110	Right ladder frame
1	SR00111	Left ladder frame
1	SR00112	Right ladder frame
1	SR00116	Ø60mm

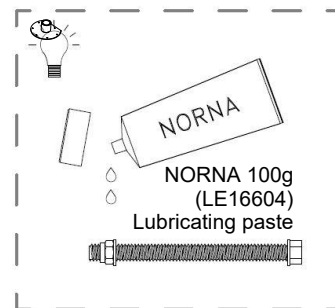


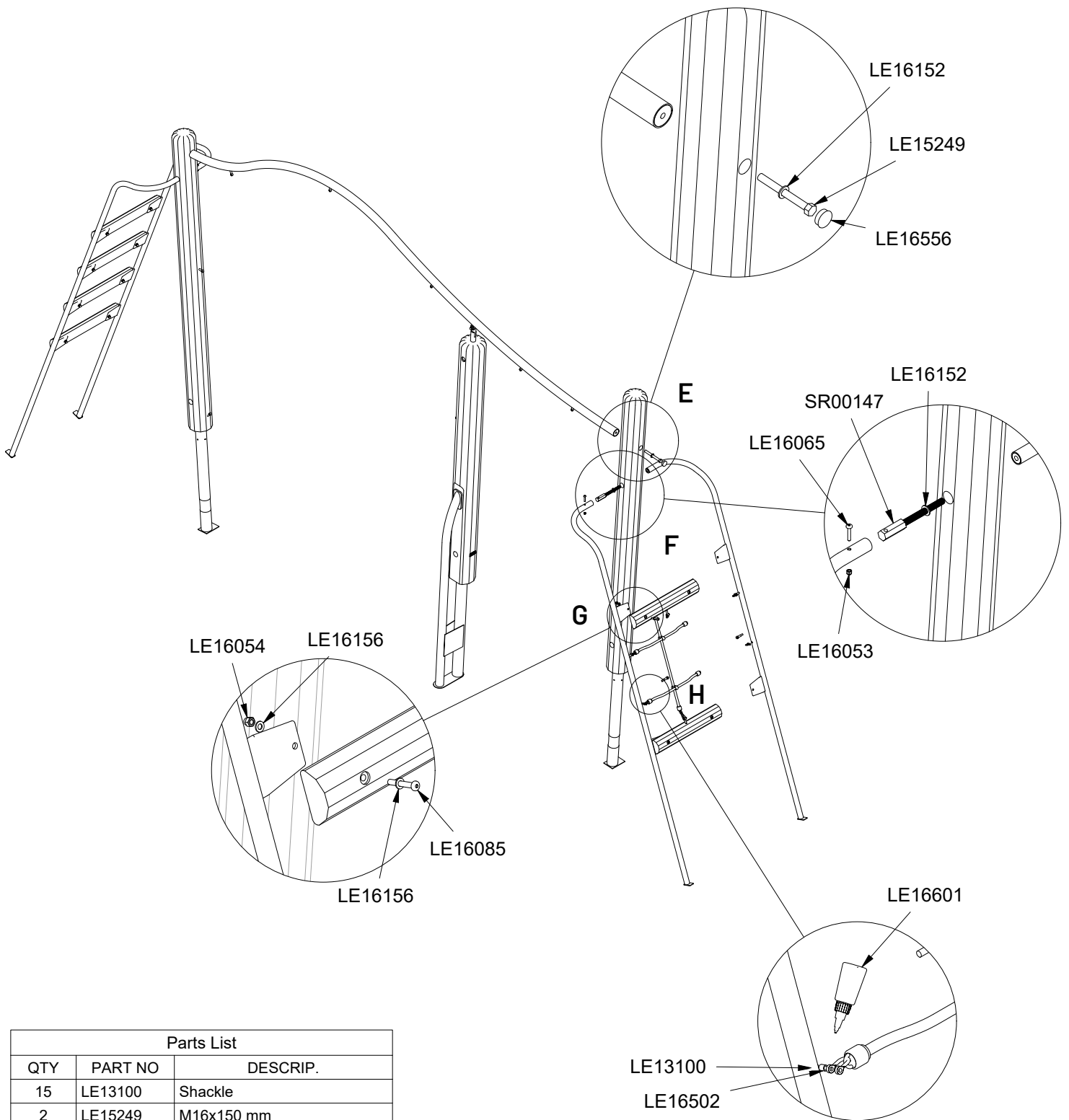
L-L (1/60)



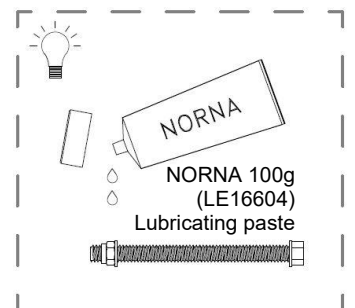


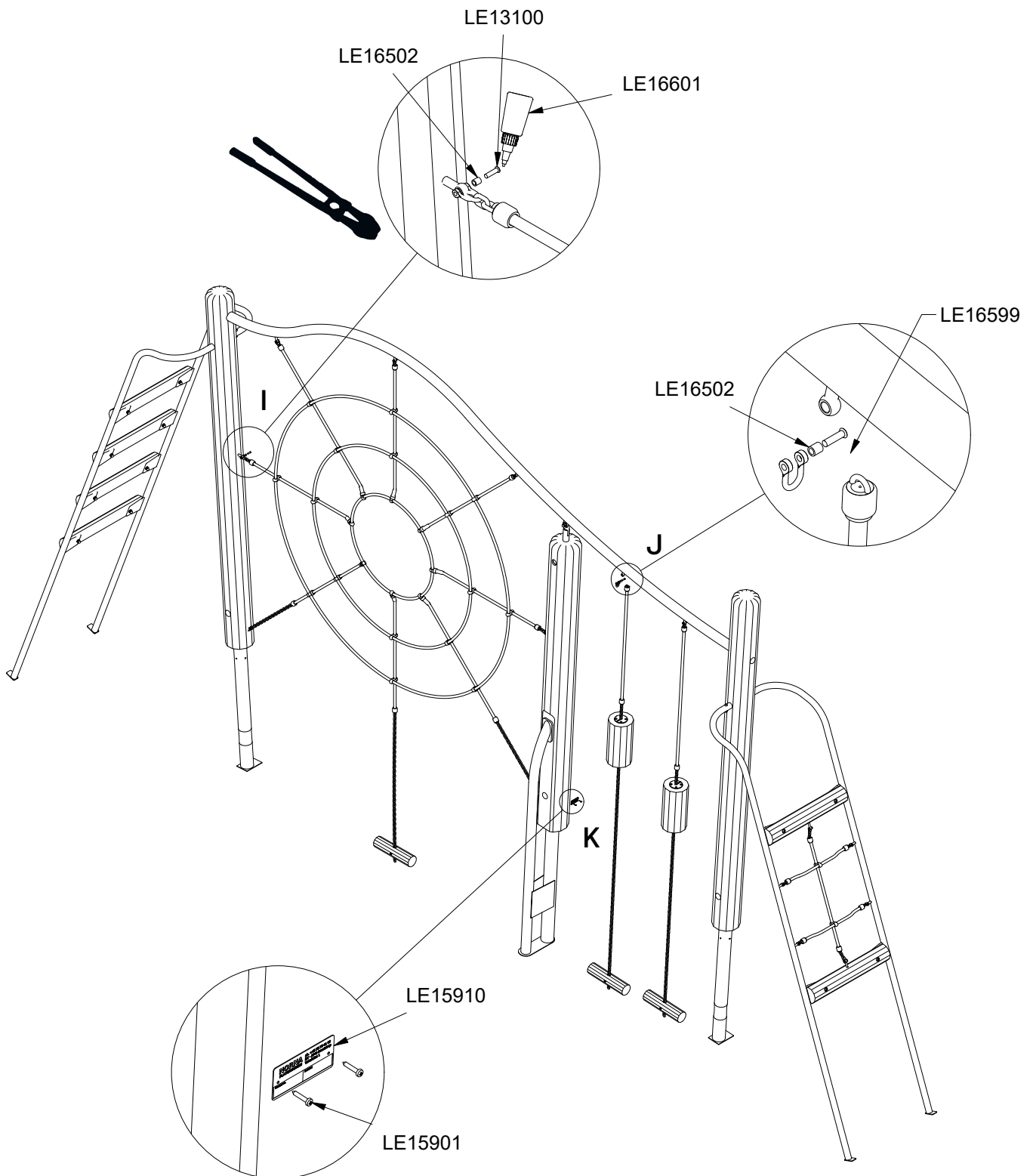
Parts List		
QTY	PART NO	DESCRIP.
2	LE15249	M16x150 mm
2	LE16053	M8 cap nut
12	LE16054	M10 cap nut
1	LE16056	M12 cap nut
2	LE16065	M8x45mm
1	LE16071	12x40 mm
12	LE16085	M10x70 mm
4	LE16152	M16 - Ø30 mm
24	LE16156	M10-Ø20
2	LE16167	M12 - Ø32 mm
2	LE16556	Ø42/38mm
2	SR00147	M16x157/60





Parts List		
QTY	PART NO	DESCRIP.
15	LE13100	Shackle
2	LE15249	M16x150 mm
2	LE16053	M8 cap nut
12	LE16054	M10 cap nut
1	LE16056	M12 cap nut
2	LE16065	M8x45mm
12	LE16085	M10x70 mm
4	LE16152	M16 - Ø30 mm
24	LE16156	M10-Ø20
15	LE16502	Spacer 6mm
2	LE16556	Ø42/38mm
2	LE16601	Loctite 5ml (Glue)
2	SR00147	M16x157/60





Parts List		
QTY	PART NO	DESCRIP.
15	LE13100	Shackle
2	LE15901	3x16, PH
1	LE15910	Name tag
15	LE16502	Spacer 6mm
2	LE16601	Locktite 5ml (Glue)