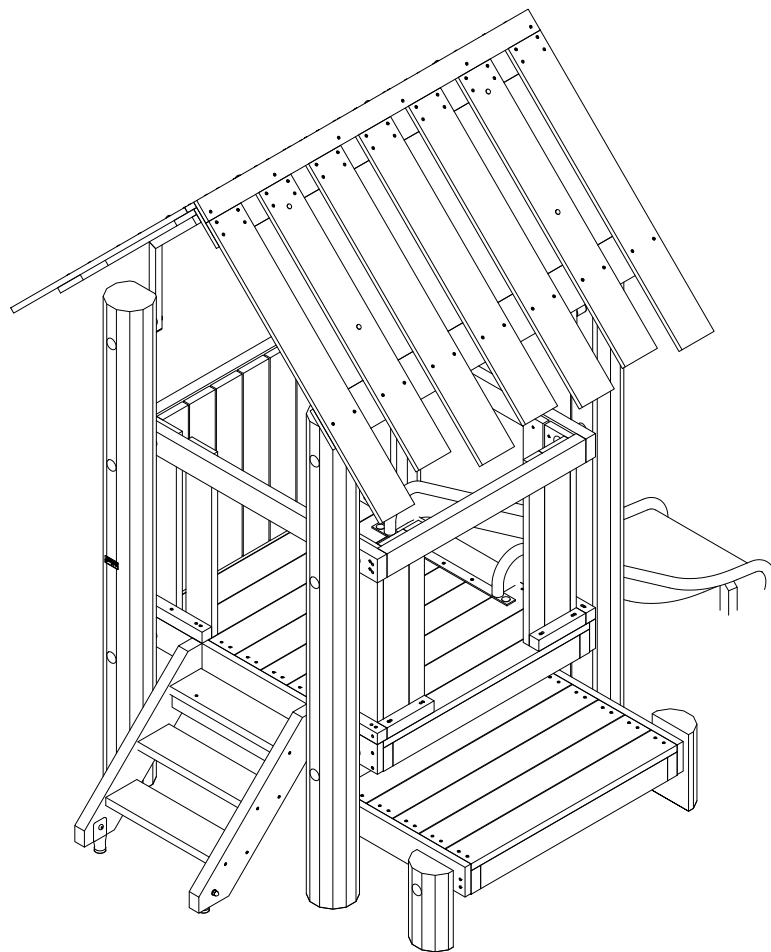
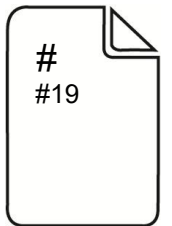
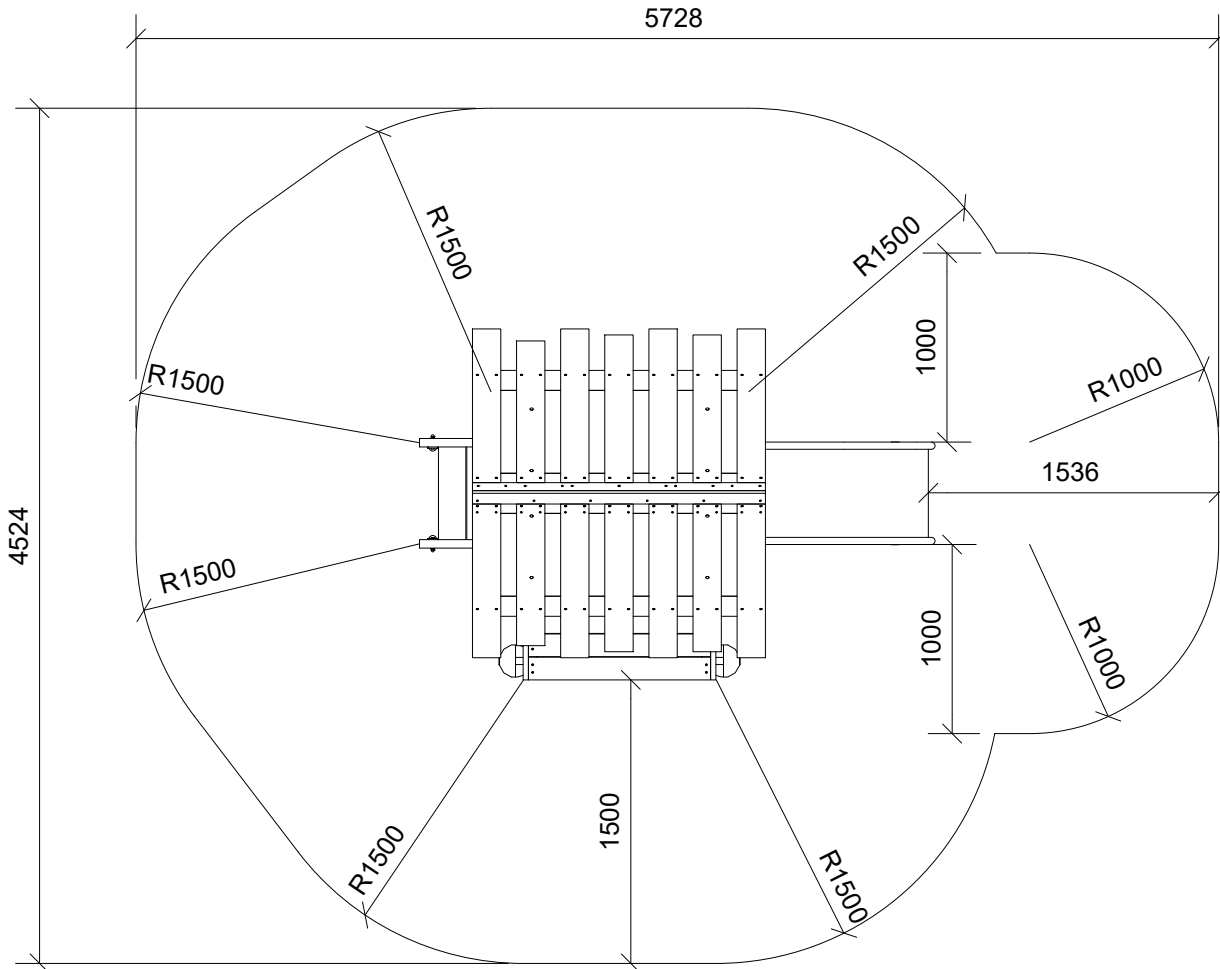
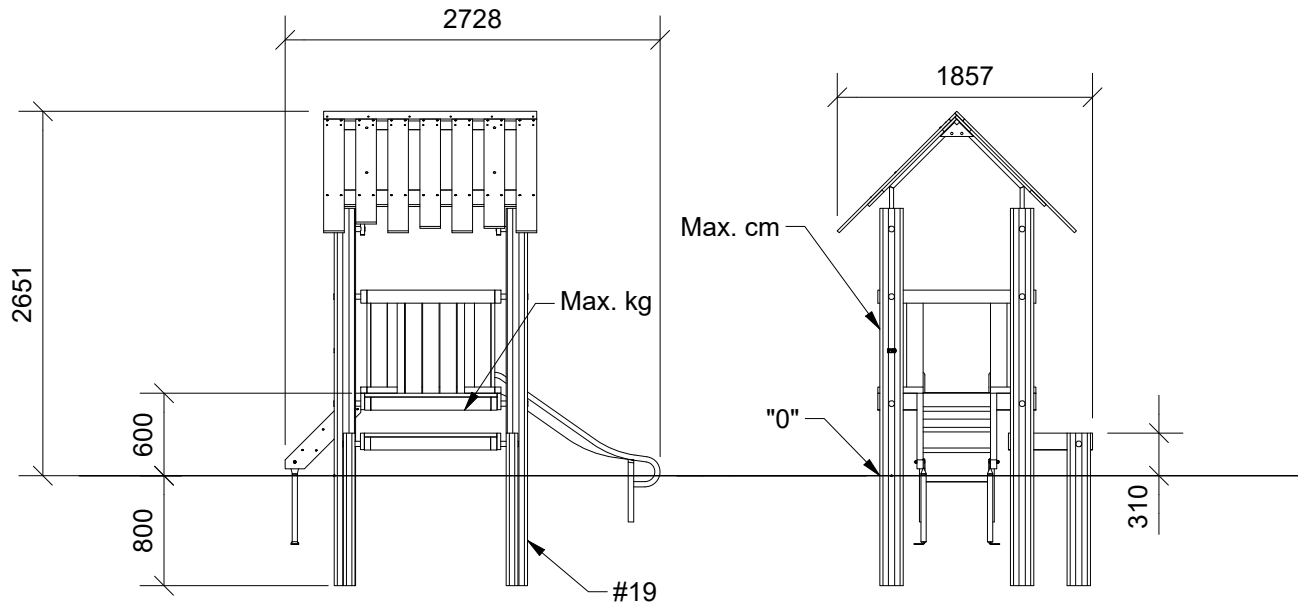


0102-011-001  
0102-011-101

1/9





2



6h



20,2 m<sup>2</sup>



5,7 x 4,5 x 2,7 m



~584 kg



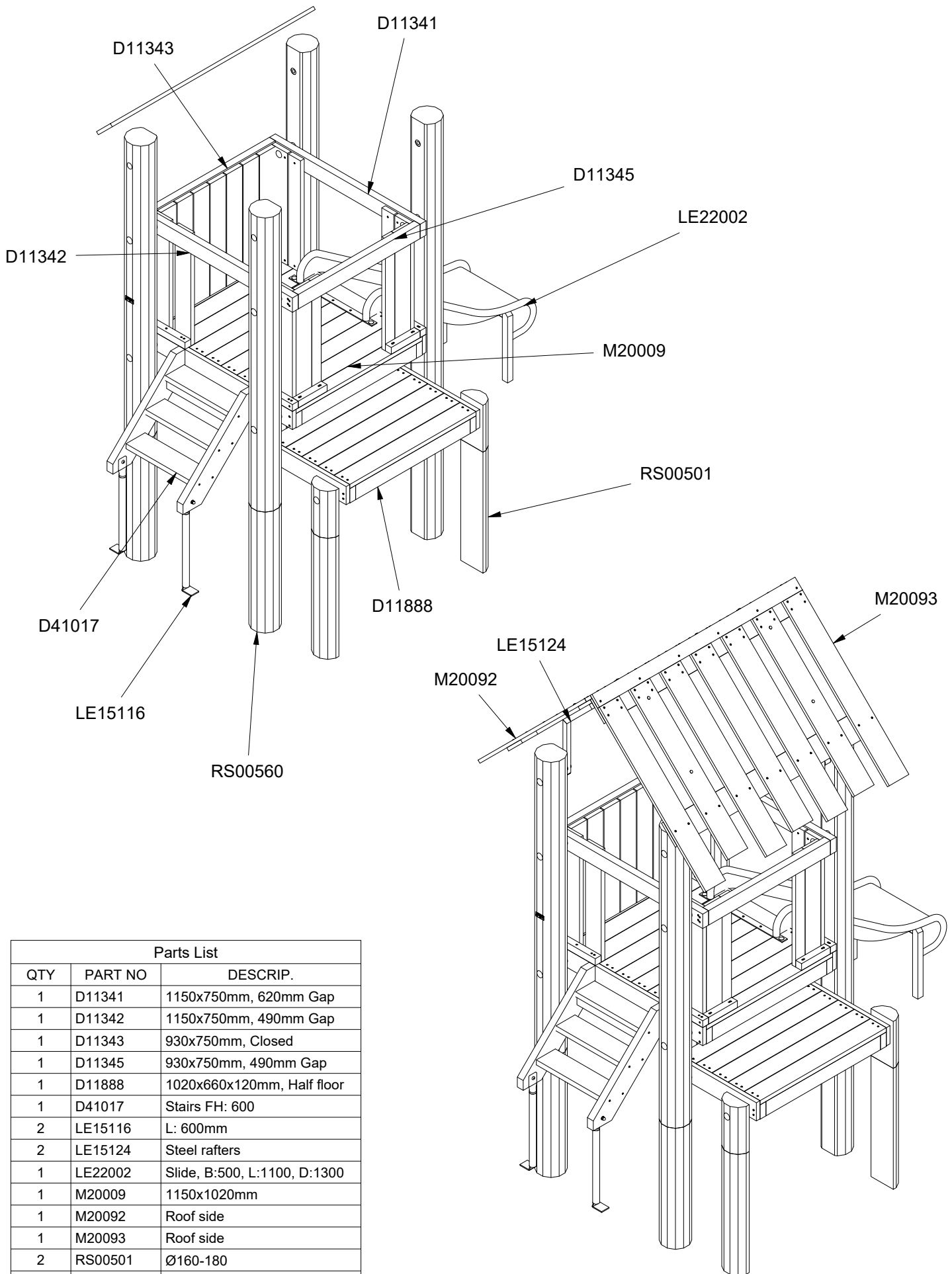
~0,23 m<sup>3</sup>



Ø16/18 x 275 cm

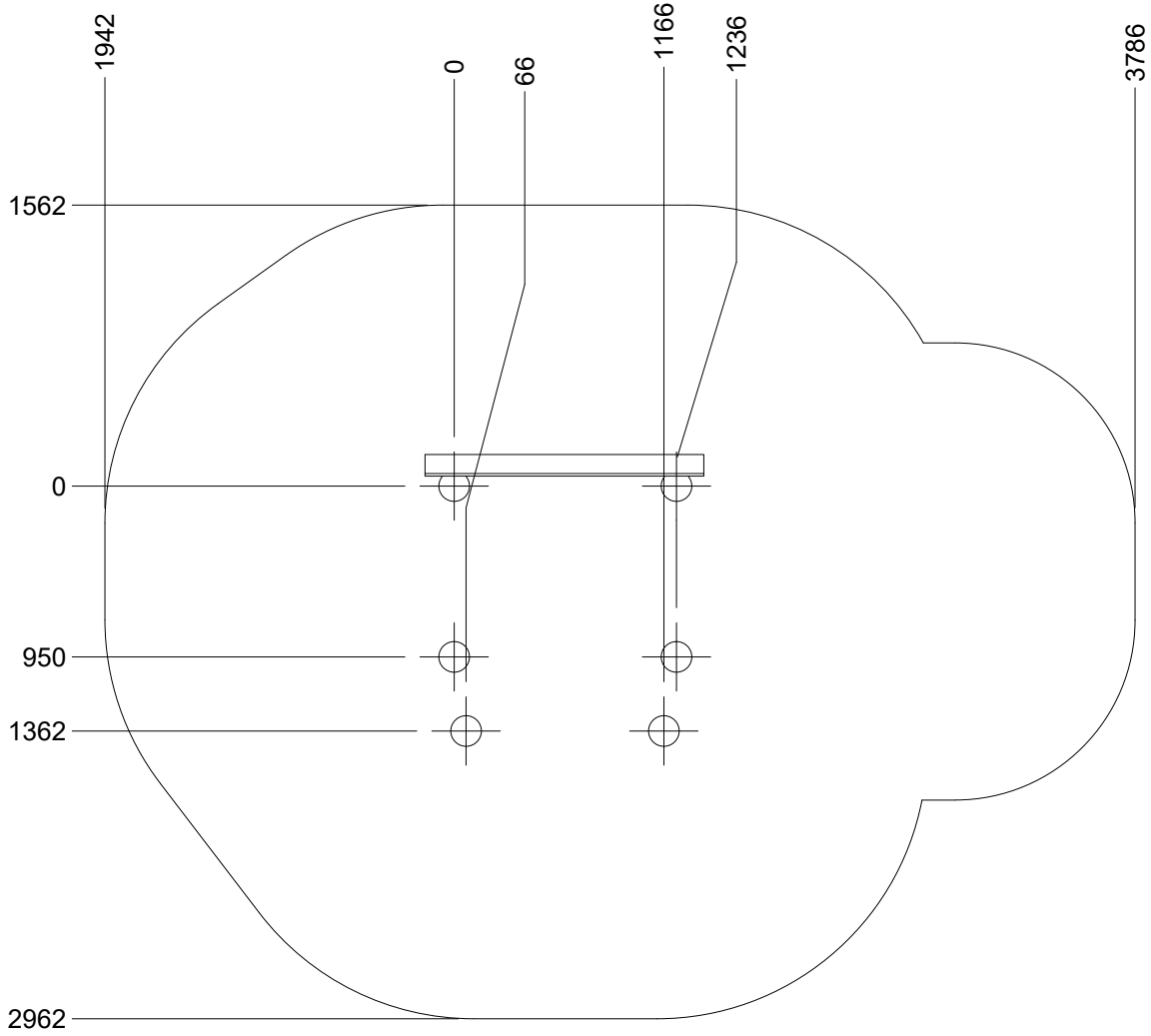
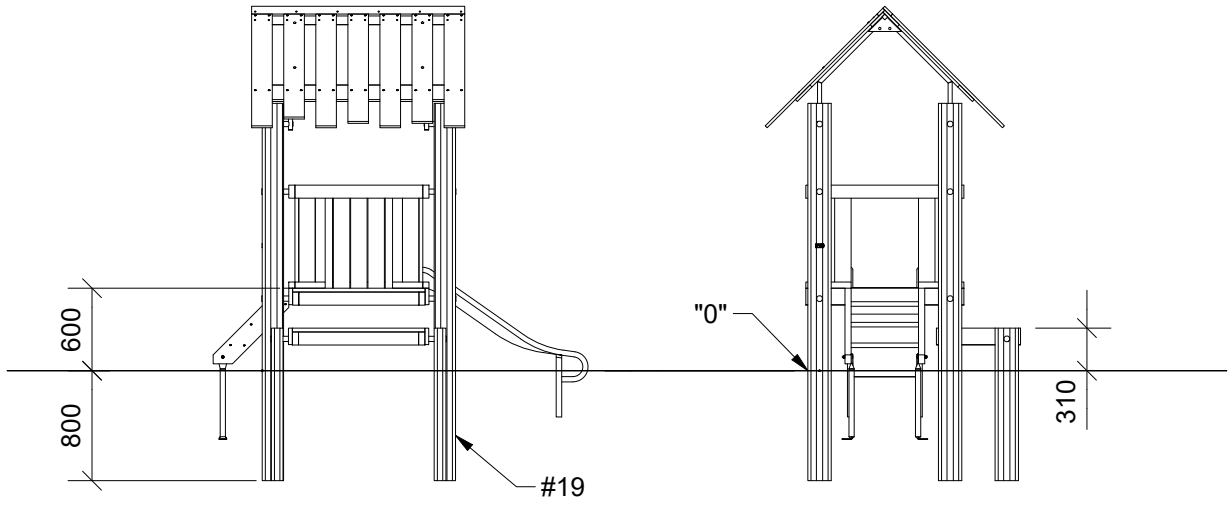


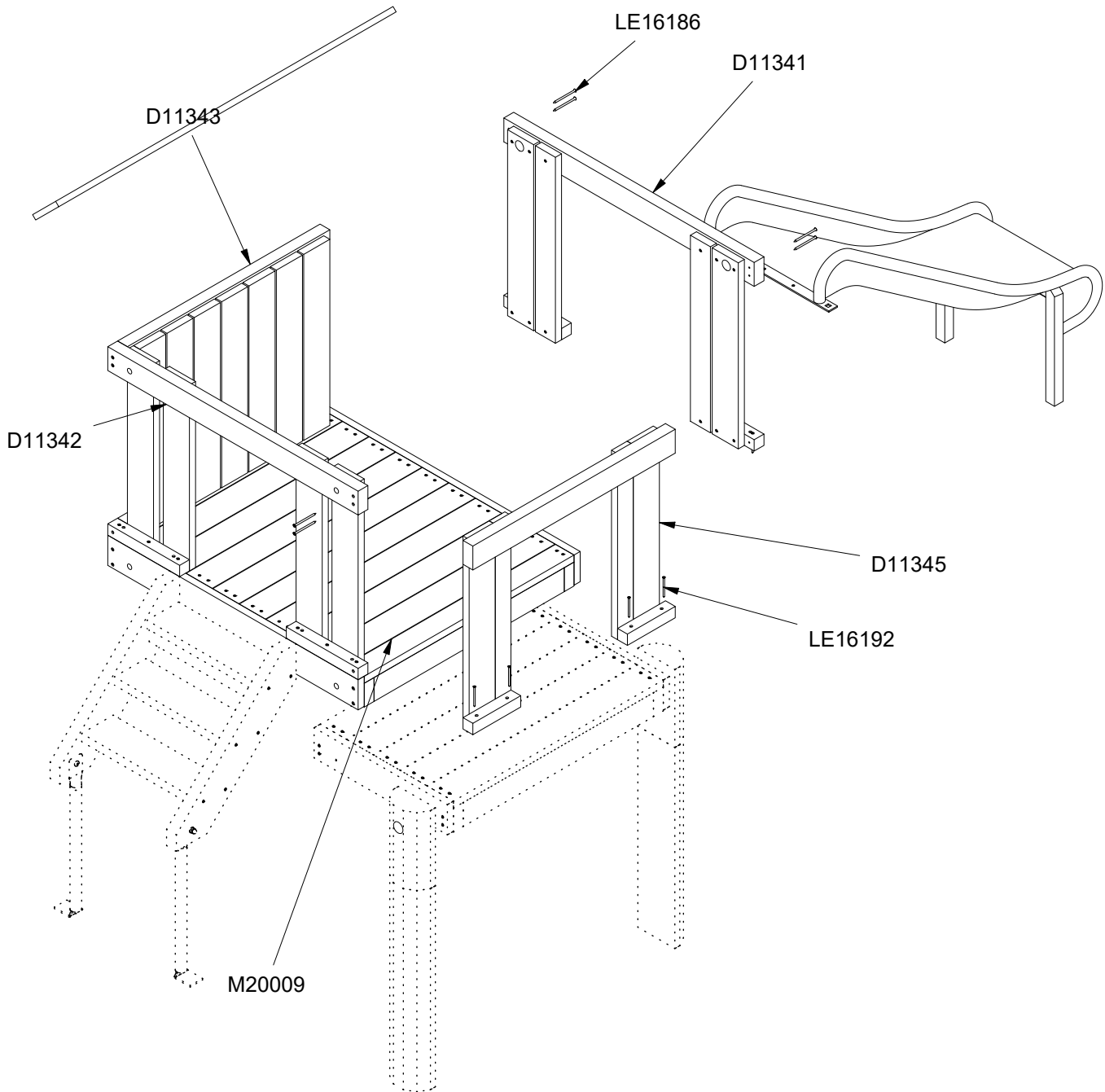
69 kg



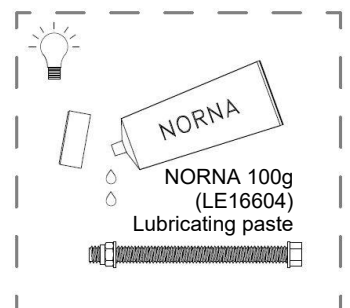
| Parts List |         |                              |
|------------|---------|------------------------------|
| QTY        | PART NO | DESCRIP.                     |
| 1          | D11341  | 1150x750mm, 620mm Gap        |
| 1          | D11342  | 1150x750mm, 490mm Gap        |
| 1          | D11343  | 930x750mm, Closed            |
| 1          | D11345  | 930x750mm, 490mm Gap         |
| 1          | D11888  | 1020x660x120mm, Half floor   |
| 1          | D41017  | Stairs FH: 600               |
| 2          | LE15116 | L: 600mm                     |
| 2          | LE15124 | Steel rafters                |
| 1          | LE22002 | Slide, B:500, L:1100, D:1300 |
| 1          | M20009  | 1150x1020mm                  |
| 1          | M20092  | Roof side                    |
| 1          | M20093  | Roof side                    |
| 2          | RS00501 | Ø160-180                     |
| 4          | RS00560 | Ø160-180                     |

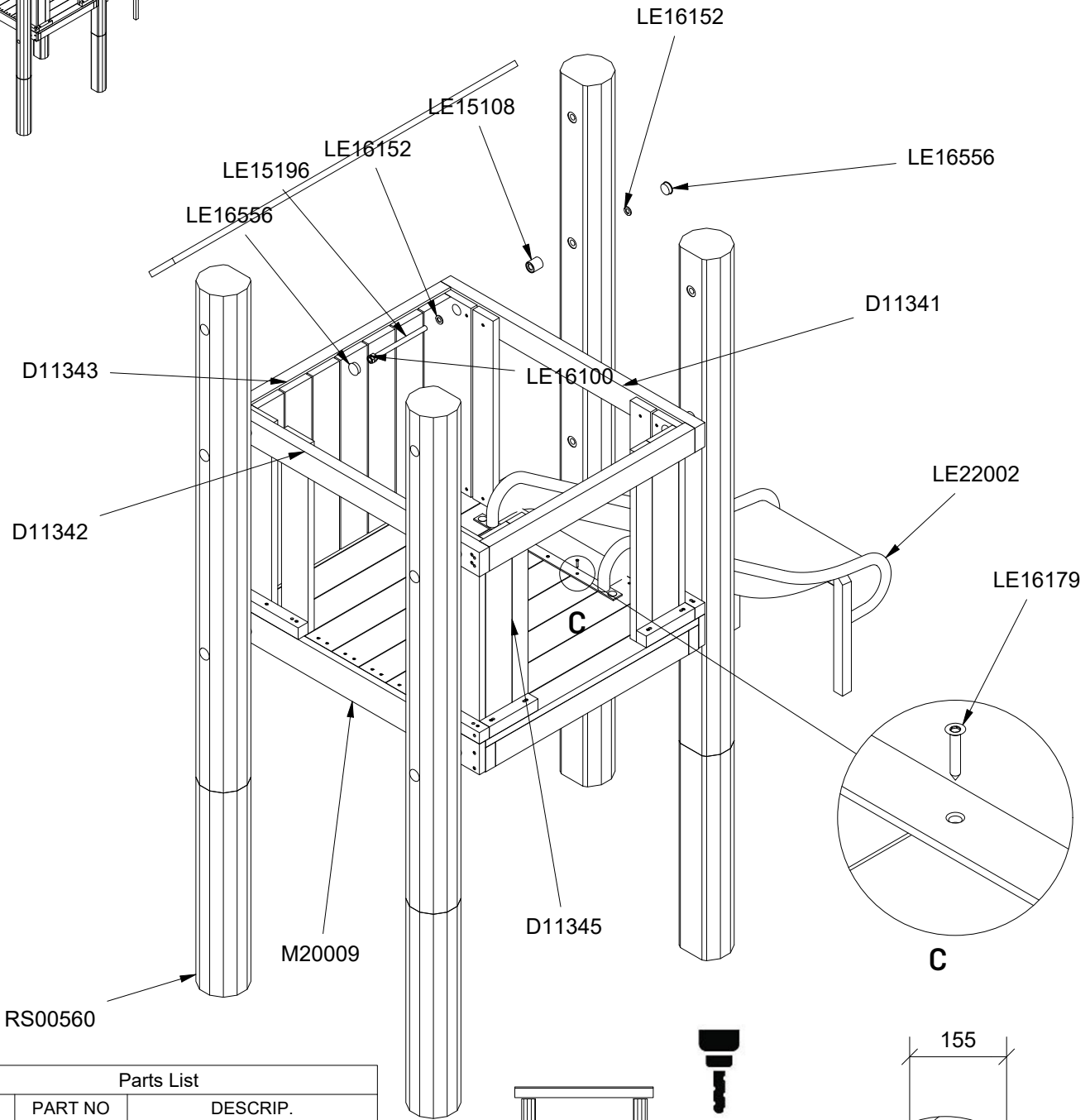
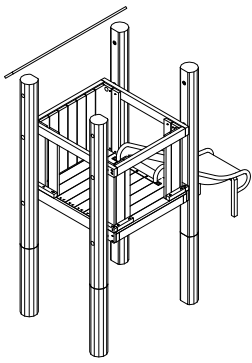
0102-011-001  
0102-011-101



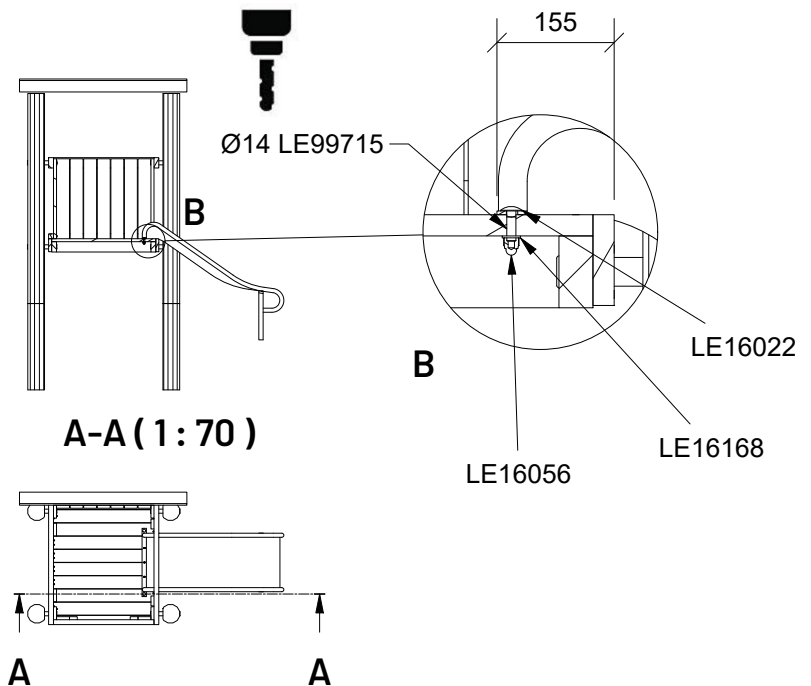


| Parts List |         |                       |
|------------|---------|-----------------------|
| QTY        | PART NO | DESCRIP.              |
| 1          | D11341  | 1150x750mm, 620mm Gap |
| 1          | D11342  | 1150x750mm, 490mm Gap |
| 1          | D11343  | 930x750mm, Closed     |
| 1          | D11345  | 930x750mm, 490mm Gap  |
| 8          | LE16186 | 6x100 Ch              |
| 19         | LE16192 | 5x80mm                |
| 1          | M20009  | 1150x1020mm           |

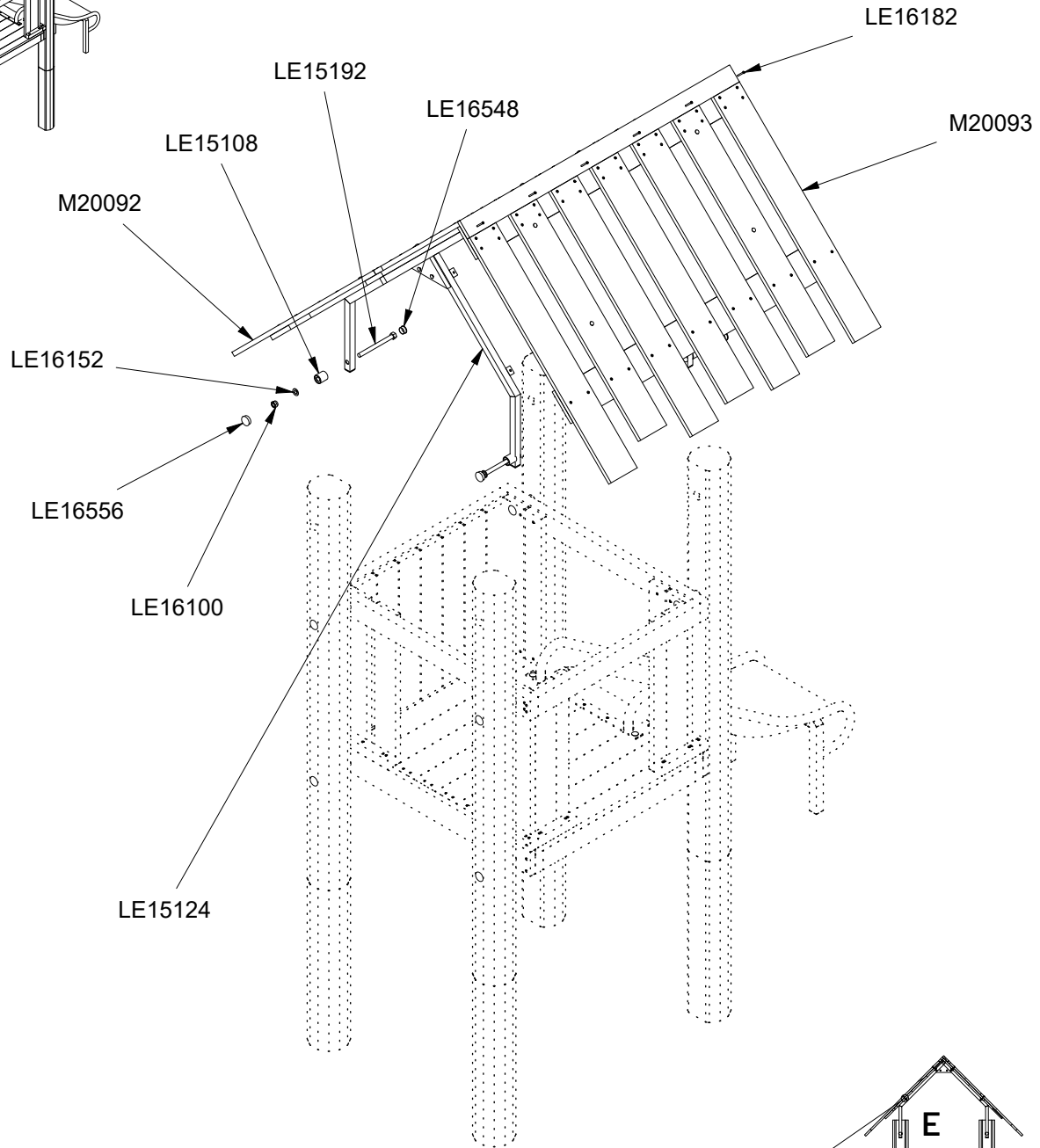
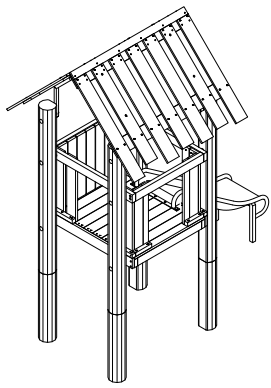




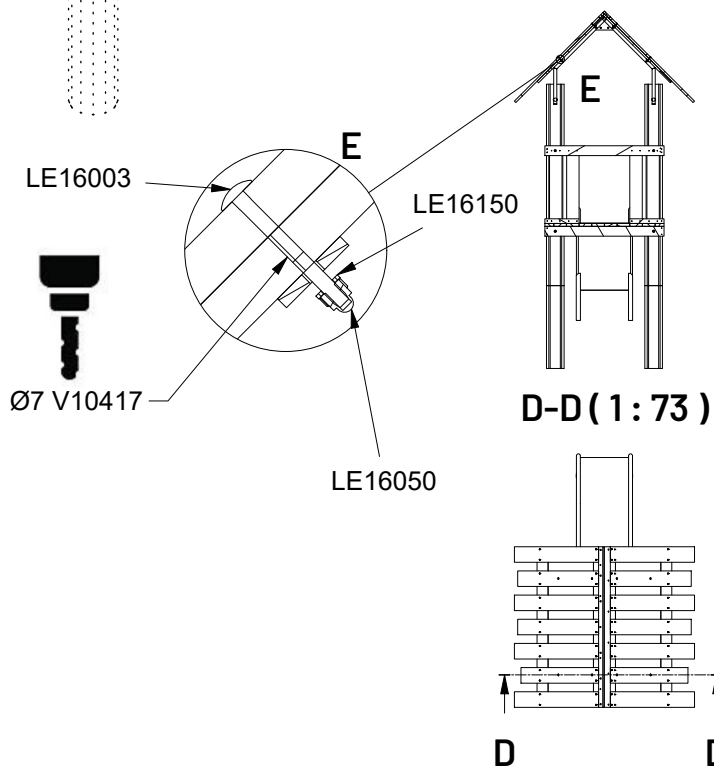
| Parts List |         |                              |
|------------|---------|------------------------------|
| QTY        | PART NO | DESCRIP.                     |
| 1          | D11341  | 1150x750mm, 620mm Gap        |
| 1          | D11342  | 1150x750mm, 490mm Gap        |
| 1          | D11343  | 930x750mm, Closed            |
| 1          | D11345  | 930x750mm, 490mm Gap         |
| 8          | LE15108 | Ø38x40mm                     |
| 8          | LE15196 | M16x230 mm                   |
| 2          | LE16022 | M12x40 mm                    |
| 2          | LE16056 | M12 cap nut                  |
| 8          | LE16100 | M16 nut                      |
| 16         | LE16152 | M16 - Ø30 mm                 |
| 2          | LE16168 | M12 - Ø24 mm                 |
| 3          | LE16179 | Ø5x30mm Ch                   |
| 16         | LE16556 | Ø42/38mm                     |
| 1          | LE22002 | Slide, B:500, L:1100, D:1300 |
| 1          | LE99715 | Ø14mm, l=200/130mm           |
| 1          | M20009  | 1150x1020mm                  |
| 4          | RS00560 | Ø160-180                     |



0102-011-001  
0102-011-101

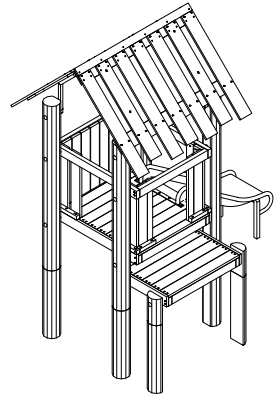


| Parts List |         |                       |
|------------|---------|-----------------------|
| QTY        | PART NO | DESCRIP.              |
| 4          | LE15108 | Ø38x40mm              |
| 2          | LE15124 | Steel rafters         |
| 4          | LE15192 | M16x190 mm            |
| 8          | LE16003 | M6x60                 |
| 8          | LE16050 | M6 DIN 986            |
| 4          | LE16100 | M16 nut               |
| 8          | LE16150 | M6                    |
| 4          | LE16152 | M16 - Ø30 mm          |
| 11         | LE16182 | Ø5x50mm               |
| 4          | LE16548 | Cap Ø28 hole          |
| 4          | LE16556 | Ø42/38mm              |
| 1          | M20092  | Roof side             |
| 1          | M20093  | Roof side             |
| 1          | V10417  | HSS lang Ø7mm L:156mm |

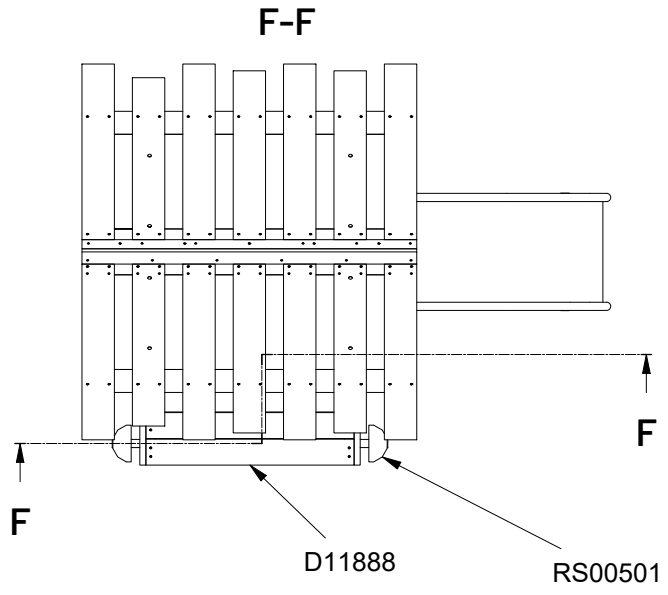
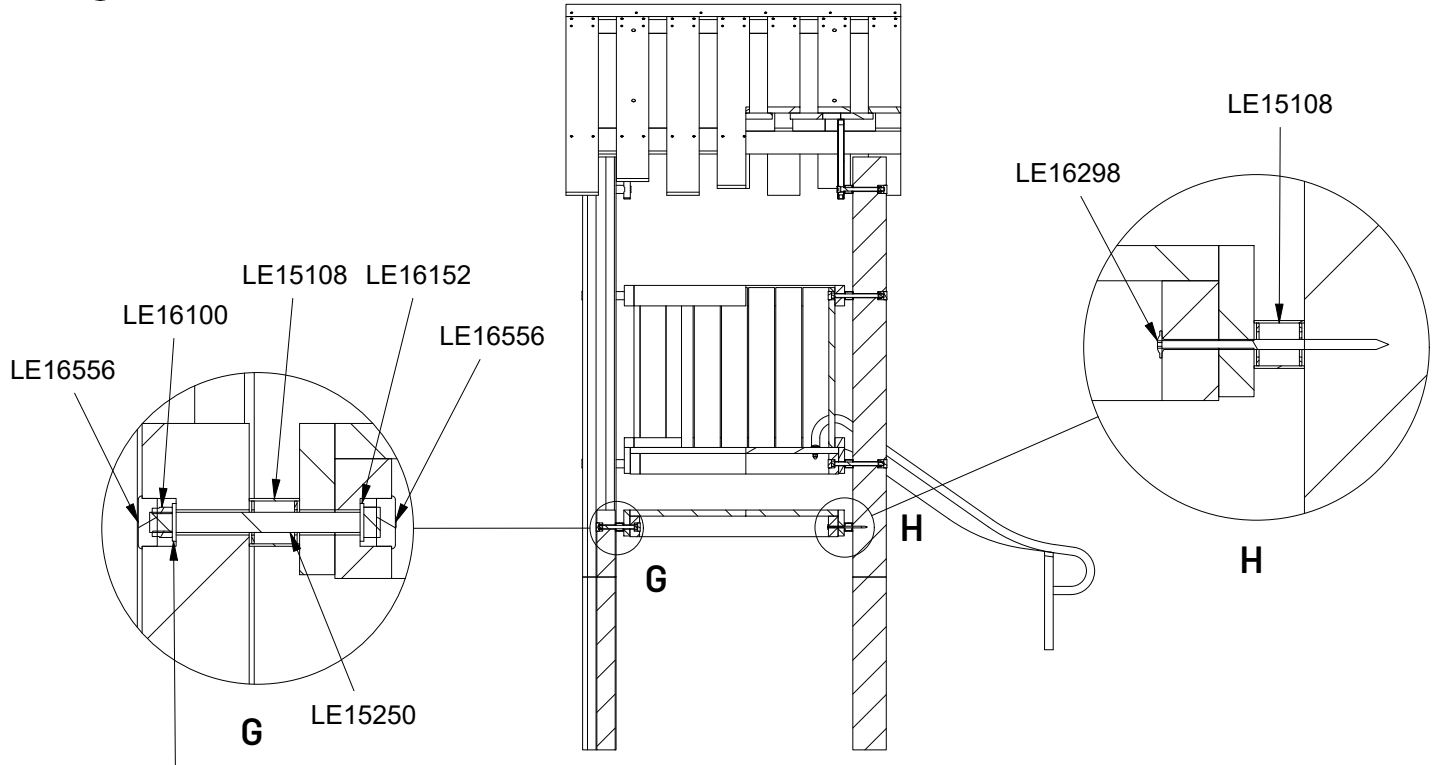


D-D (1:73)

D D

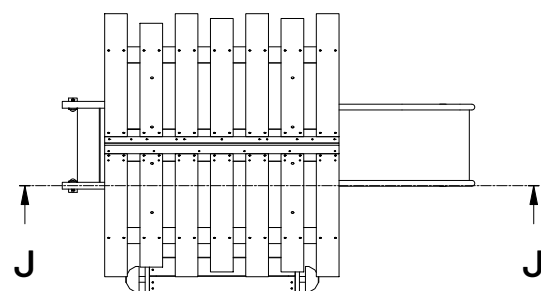
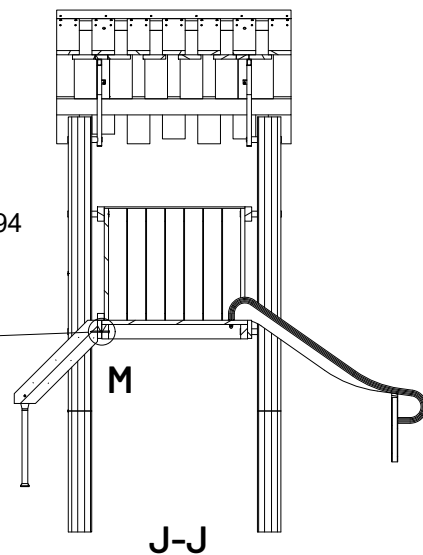
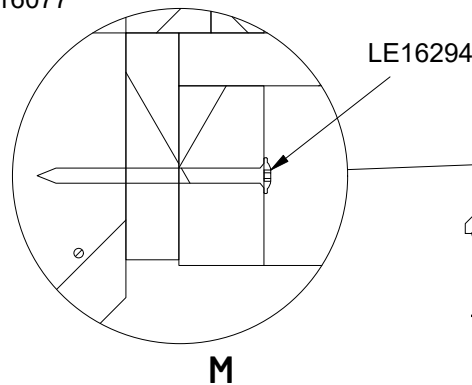
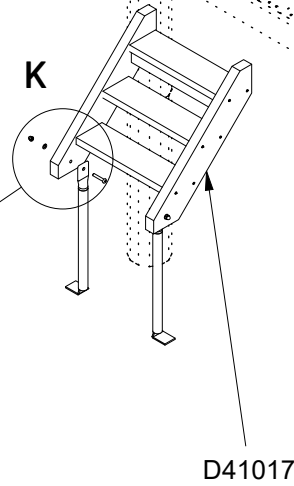
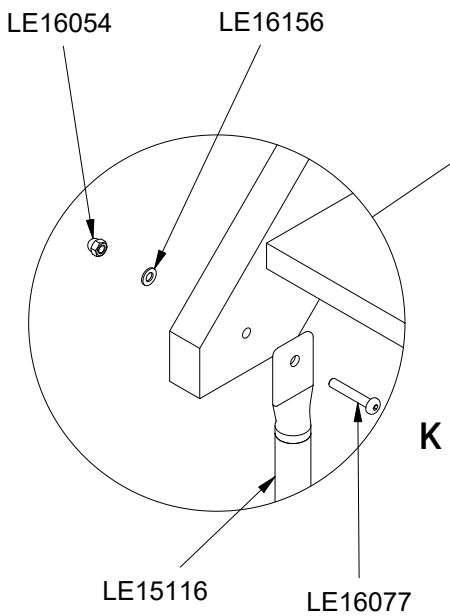
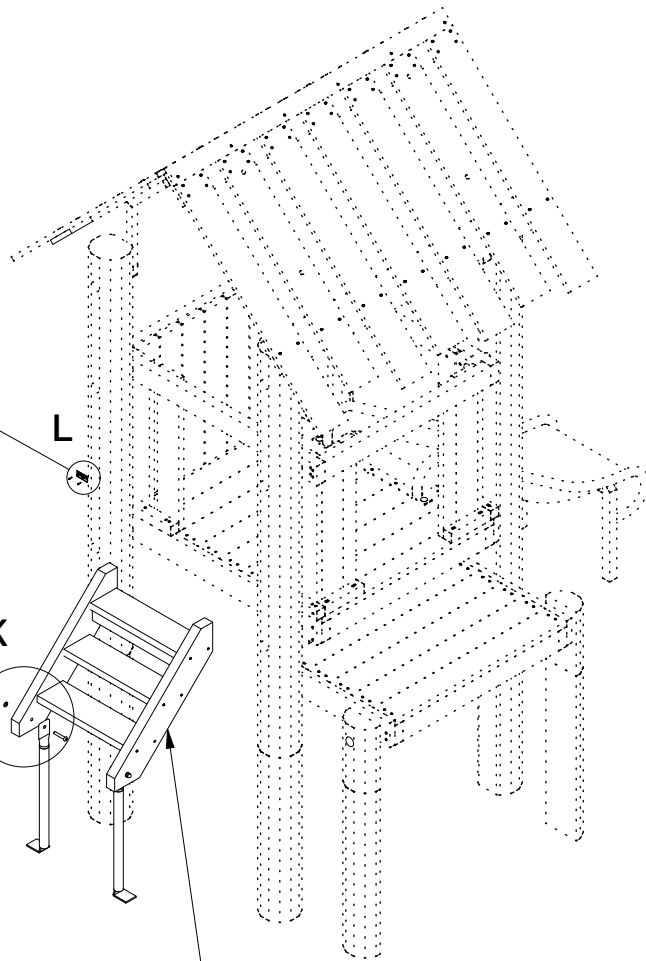
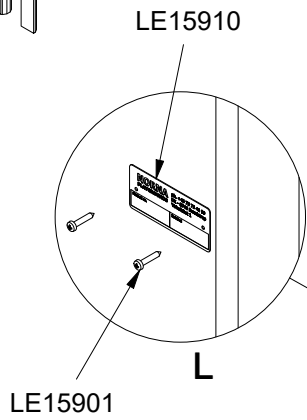
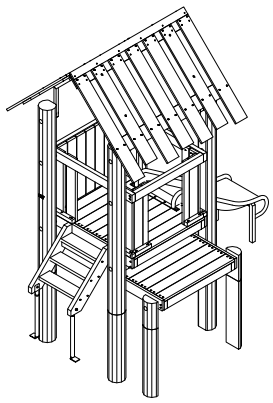


0102-011-001  
0102-011-101



| Parts List |         |                            |
|------------|---------|----------------------------|
| QTY        | PART NO | DESCRIP.                   |
| 1          | D11888  | 1020x660x120mm, Half floor |
| 4          | LE15108 | Ø38x40mm                   |
| 2          | LE15250 | M16x170 mm                 |
| 2          | LE16100 | M16 nut                    |
| 4          | LE16152 | M16 - Ø30 mm               |
| 2          | LE16298 | 8x180/80 Dh                |
| 4          | LE16556 | Ø42/38mm                   |
| 2          | RS00501 | Ø160-180                   |





| Parts List |         |                    |
|------------|---------|--------------------|
| QTY        | PART NO | DESCRIP.           |
| 1          | D41017  | Stairs FH: 600     |
| 2          | LE15116 | L: 600mm           |
| 2          | LE15901 | 3x16, PH           |
| 1          | LE15910 | Name tag           |
| 2          | LE16054 | M10 cap nut        |
| 2          | LE16077 | Buttonhead 10x60mm |
| 2          | LE16156 | M10-Ø20            |
| 2          | LE16294 | Ø8x120/80 mm       |