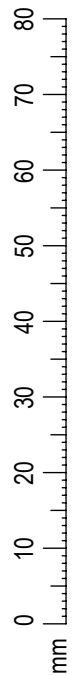
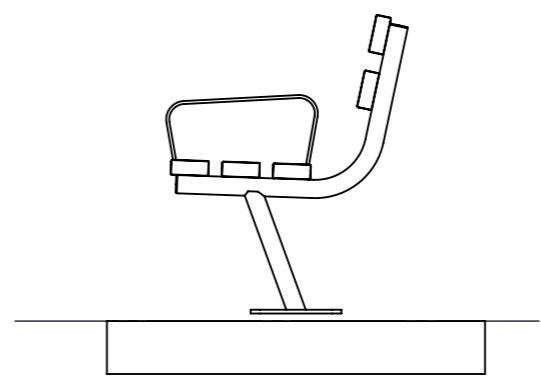
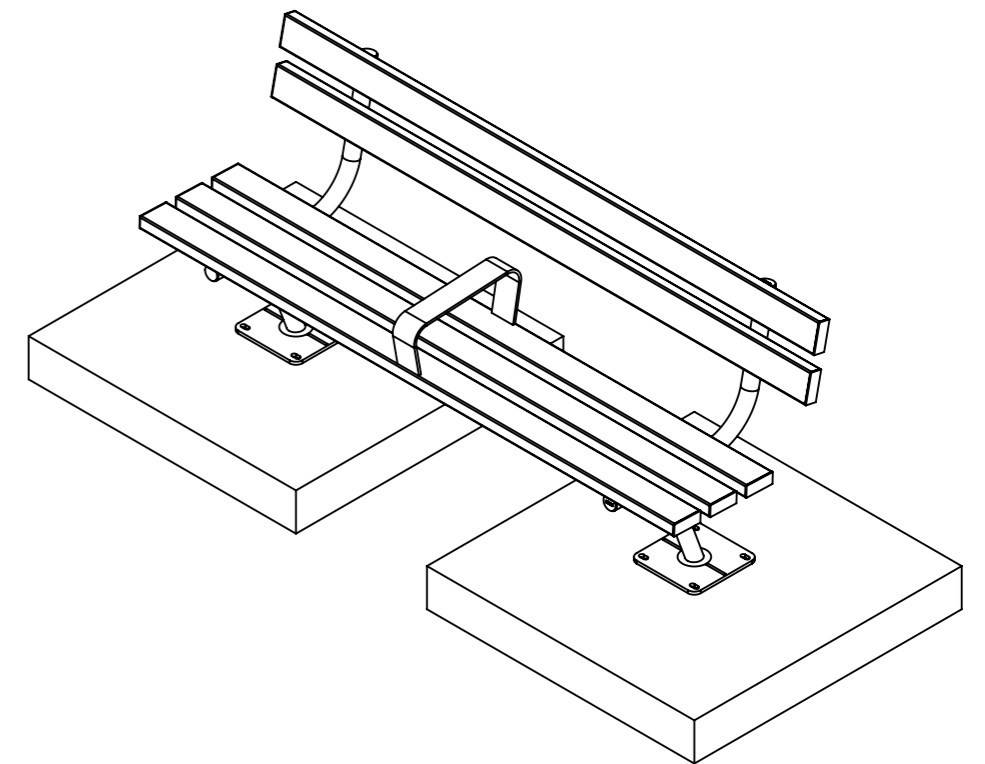




Maaiveld



|  <p>Ijlander BV Oude Dijk 10 8096 RK Oldebroek The Netherlands T +31 (0)525 633420 F +31 (0)525 631067 info@ijlander.com www.ijlander.com</p> | <p>oppervlakte ruwheid surface roughness DIN ISO 1302</p> <p>alg. ruwheid gen. roughness 3.2</p> <p>eenheid/unit cm</p> | <p>datum date 21-1-2022</p> <p>naam name RB</p> | | | | | | | | | | | | | | | | | | | | |
|---|---|---|-----------------------------------|-------|------|------|------|------|------|------|------|------|---------------------|------|------|------|------|------|------|----|----|--|
| | <p>vorm- en plaatstoleranties geometrical tolerancing DIN ISO 1101</p> <p>alg. toleranties gen. tolerancing DIN 7168-m</p> | <p>toelaatbare afwijkingen voor lineaire maten (m.u.v. gebroken kanten) admissible deviations for linear dimensions (excepting broken edges)</p> <table border="1"> <tr> <th>lineaire maat linear dimension</th> <th>≤ 0,5</th> <th>6</th> <th>30</th> <th>120</th> <th>400</th> <th>1000</th> <th>2000</th> <th>4000</th> <th>8000</th> </tr> <tr> <th>afwijking/deviation</th> <td>±0.1</td> <td>±0.2</td> <td>±0.3</td> <td>±0.5</td> <td>±0.8</td> <td>±1.2</td> <td>±2</td> <td>±3</td> <td></td> </tr> </table> | lineaire maat linear dimension | ≤ 0,5 | 6 | 30 | 120 | 400 | 1000 | 2000 | 4000 | 8000 | afwijking/deviation | ±0.1 | ±0.2 | ±0.3 | ±0.5 | ±0.8 | ±1.2 | ±2 | ±3 | |
| lineaire maat linear dimension | ≤ 0,5 | 6 | 30 | 120 | 400 | 1000 | 2000 | 4000 | 8000 | | | | | | | | | | | | | |
| afwijking/deviation | ±0.1 | ±0.2 | ±0.3 | ±0.5 | ±0.8 | ±1.2 | ±2 | ±3 | | | | | | | | | | | | | | |
| <p>proj. </p> <p>schaal/scale 1:20</p> | <p>omschrijving/description Zitbank met leuning 2x0.6x0.9 m cutting legs met extra arMLEUNING</p> | <p>Totaal gewicht: 708168.97 kg</p> <p>Zwaarste onderdeel: kg</p> <p>Leeftijd van: - jaar</p> <p>Valondergrond klasse:</p> <p>tekeningnummer/drawingnumber 2003-03</p> <p>blad/sheet 1 - 1</p> <p>wijz./rev. form./size A3</p> | | | | | | | | | | | | | | | | | | | | |